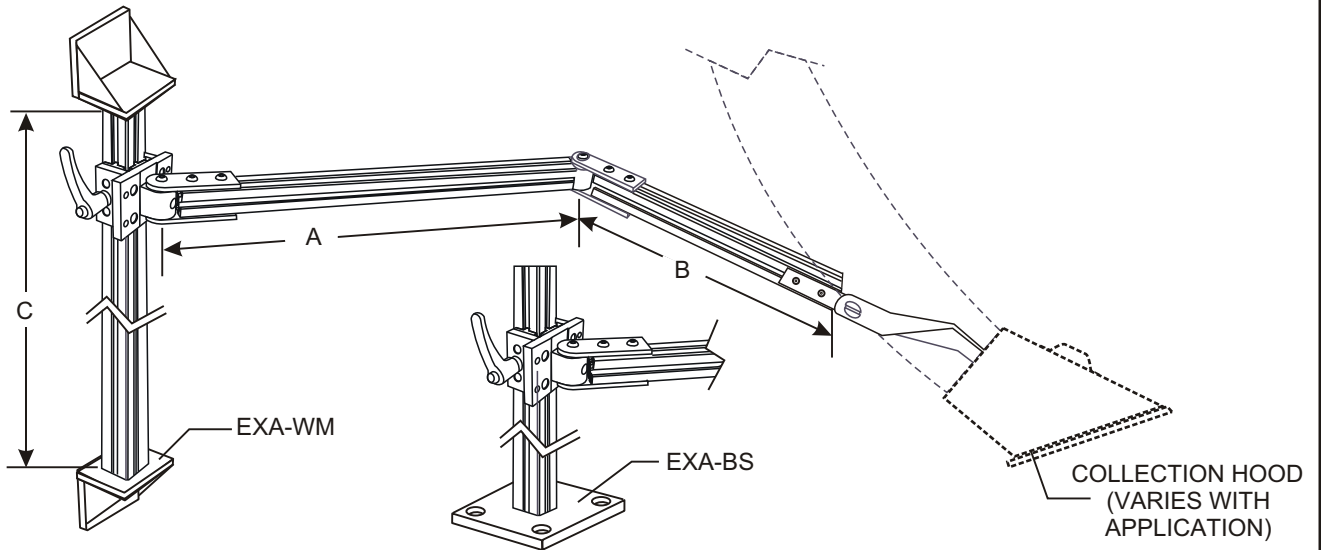


## SERIES WXA ERGONOMIC POSITIONING ARM

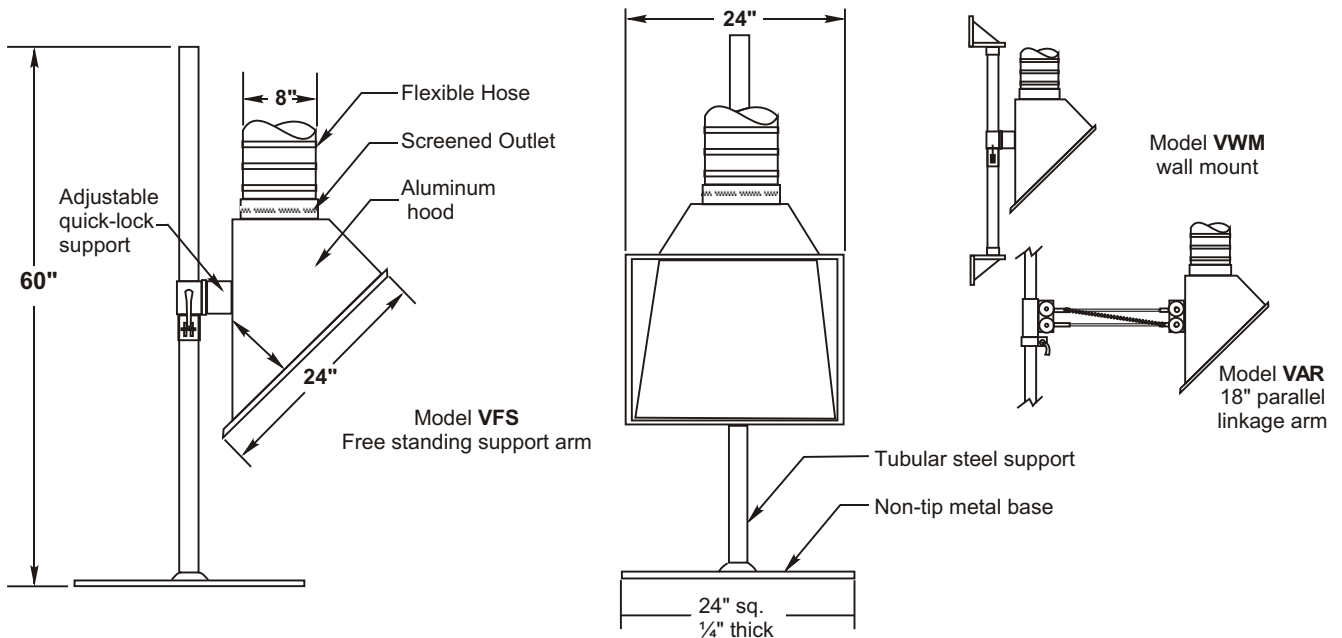


QTY.	HOSE			A	B	C	HOOD TYPE	EXA BS	EXA WM
	TYPE	DIA.	LENGTH						

**Series WXA** ergonomic arms and vertical standard shall be constructed of 1-1/2 x 1-1/2 extruded aluminum sections, with 3/8" thick mounting plate, pivot joints with pin shaft, and hood mounting bracket. Hood and hose to be attached at end of arm. Hood type and hose selection shall be selected to suit application. Arm shall be of the length specified. Vertical standard shall be attached to base plate or wall mounting brackets with vertical adjustment to be made by locking lever.

Note: Factory reserves the right to change dimensional data without notice.

## SERIES VH FUME RECEPTACLE



QTY.	TUBING		VAR	VFS	VWM
	LENGTH	TYPE			

**Model VH** Fume Receptacle shall be of aluminum construction. The inlet opening is 24" x 24" and the outlet opening is 8" diameter with a debris screen. Mounting options include Model **VFS** free standing adjustable base, Model **VWM** wall mount or Model **VAR** 18" parallel linkage arm.

Note: Factory reserves the right to change dimensional data without notice.