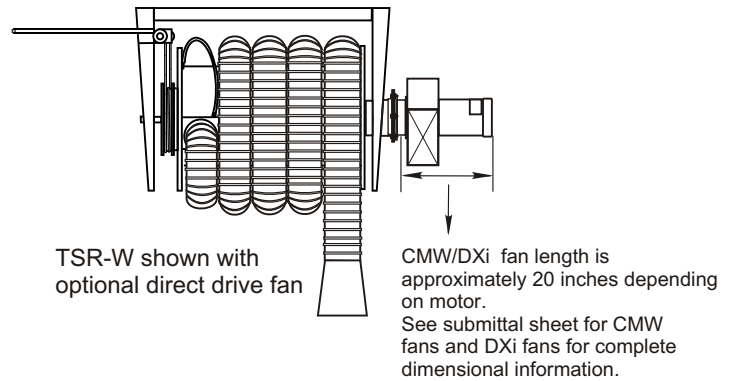
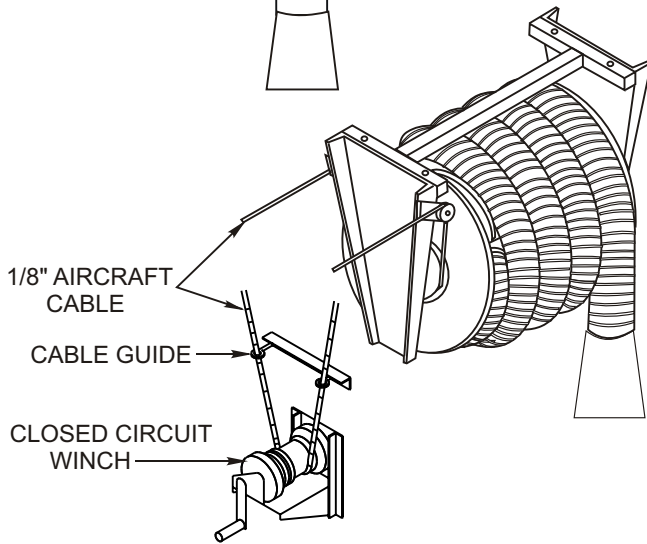
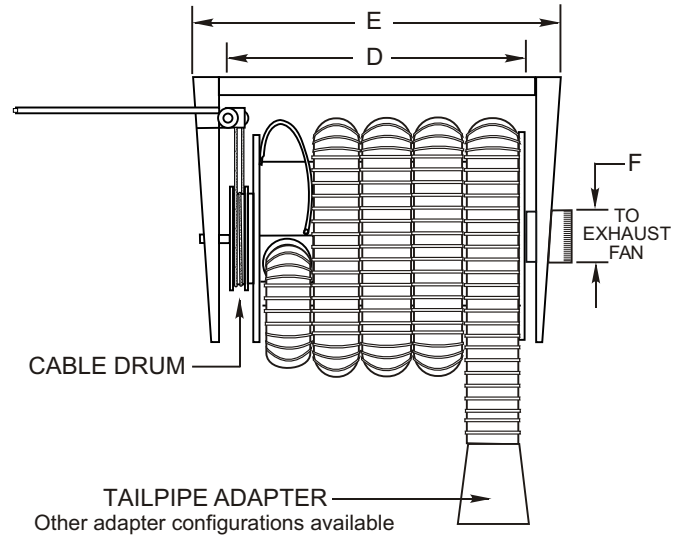
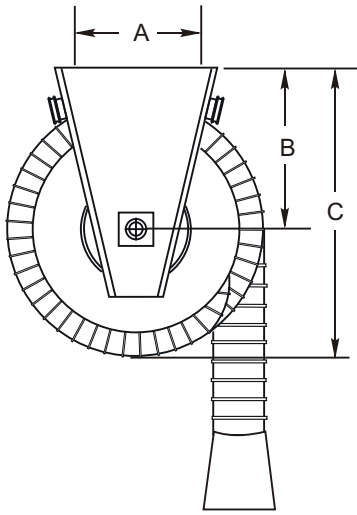


CAR-MON SERIES TSR-W TUBING STORAGE REEL

With Winch Operator

NOTE: A & D dimensions are bolt hole centers



QTY.	MODEL	HOSE DIA.	HOSE TYPE	HOSE LENGTH	ADAPTER	CMW/DXi FAN	A	B	C	D	E	F	WT.
	TSR-W24	3"					9 3/4	18 7/8	31	26 3/4	36 3/4		110
	TSR-W24	4"					9 3/4	18 7/8	32	26 3/4	36 3/4		110
	TSR-W32	5"					9 3/4	18 7/8	33	34 3/4	44 3/4		120
	TSR-W32	6"					9 3/4	18 7/8	34	34 3/4	44 3/4		120
	TSR-W36	7"					9 3/4	19 7/8	35	38 3/4	48 3/4		130
	TSR-W36	8"					9 3/4	19 7/8	36	38 3/4	48 3/4		130

CAR-MON Series **TSR-W** is a tubing storage reel designed for use with Car-Mon Hose. Its frame is of welded construction using 2x2x1/8 square tubular steel with 12 gauge end plates, and an airtight rotating cylinder with a recessed inlet fitting to which the flange mounted flexible hose will be bolted. The assembly is supplied complete with Series PSWC pull-up set which includes closed circuit winch, cable guide, pulleys, and 150' of 1/8" galvanized aircraft cable to raise and lower tubing from reel. The standard TSR-W will accommodate up to 25' of hose. Other lengths and diameters of hose available, consult factory. Series CMW or DXi flange mounted direct drive fans are available as an option.

Note: Factory reserves the right to change dimensional data without notice.