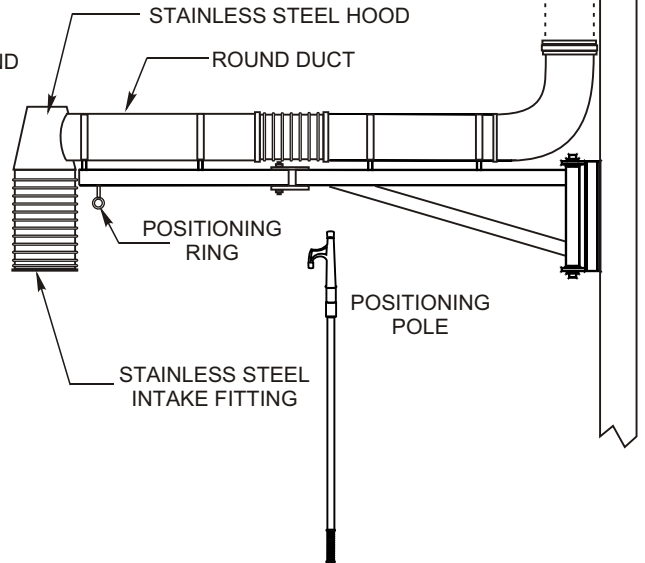
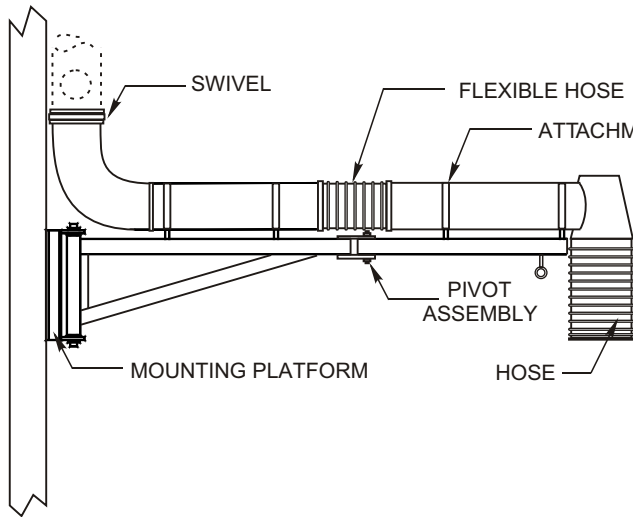
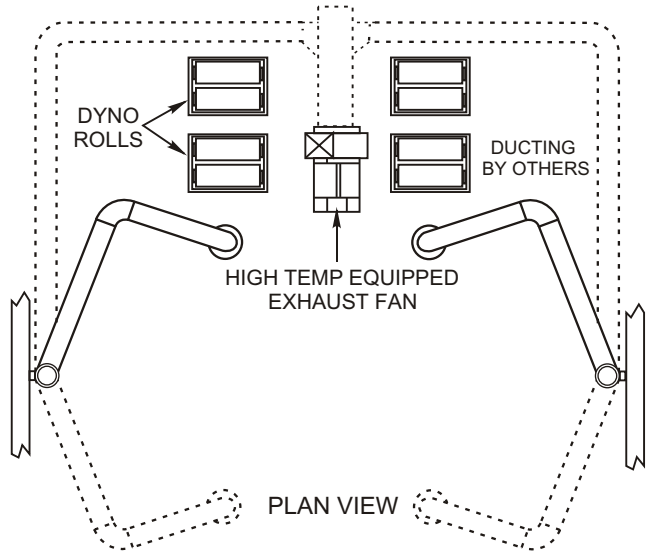
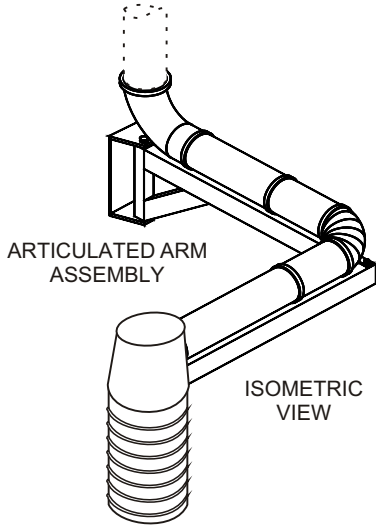


SERIES TDP TRUCK DYNAMOMETER PACKAGES



QTY.	MODEL	FAN	HP	CFM	ESTIMATED SP	EK	EKP
	TDP-2A30 (Dual Arm Package)						
	TDP-1A20 (Single Arm Package)						

SPECIFICATION:

Series TDP Truck Dynamometer Package shall include Series AT Articulated Arm, duct assembly, hose, induction hood, and Series CMB Exhaust Fan. The articulated arm assembly shall be Model AT-64, constructed of 2 x 4 x 1/8" tubular steel with a mounting base constructed of structural steel 2 x 2 x 3/16 square tube and 2 x 3 x 3/16 angle iron frame with load bearings. The duct assembly shall consist of a swivel, elbow, and galvanized pipe. For complete fan specification, refer to Car-Mon submittal sheet 04-F3.

Dynamometer exhaust packages including Series CMB Exhaust Fans shall be Series TDP as manufactured by Car-Mon Products, Inc. of Elgin, Illinois.