

CMSL SERIES BELT DRIVE FANS

All fans on this sheet are rated in accordance with AMCA Standard 210 and bear the AMCA seal.

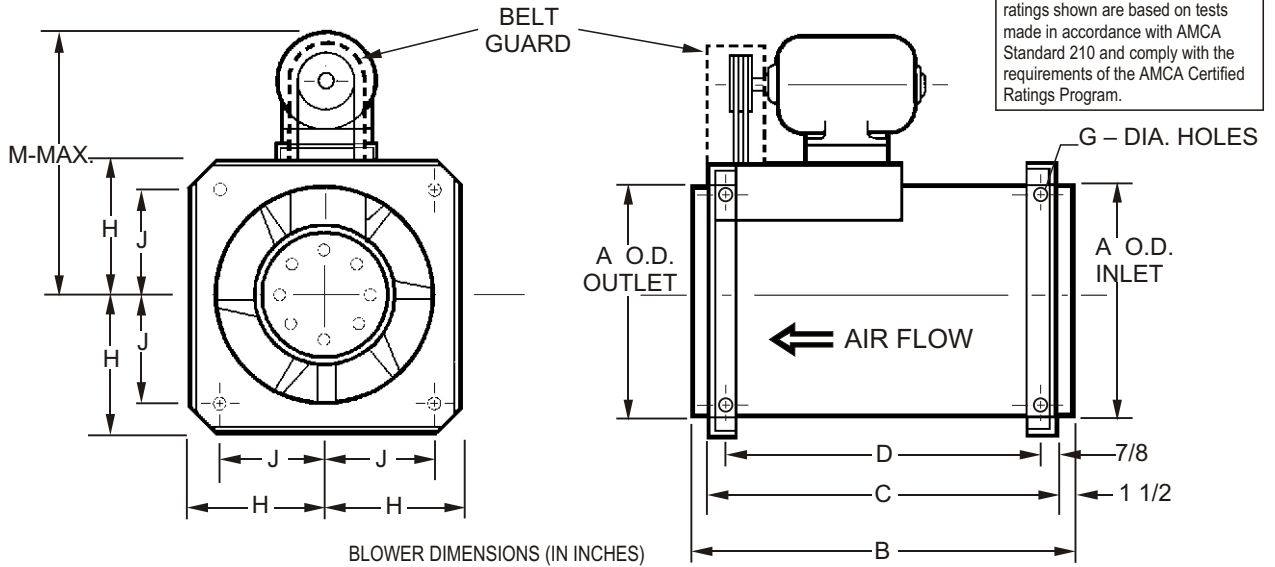
All CAR-MON fans are equipped with high efficiency, non-overloading, backward inclined wheels to provide proper and economical operation. All parts in the air stream are coated with an epoxy powder coating. Other standard equipment includes belt guard, variable speed motor pulley (2-groove pulleys standard on all fans 1 HP and greater), heavy gauge welded steel construction and adjustable motor base for proper alignment and belt tension.

All fans are run tested at factory and checked for compliance with our rigid balance standards.

NOTE: For performance data, refer to catalog F2-92 "CM-SL Series Performance Tables".



Car-Mon Products, Inc. certifies that the centrifugal fans shown herein are licensed to bear the AMCA seal. The ratings shown are based on tests made in accordance with AMCA Standard 210 and comply with the requirements of the AMCA Certified Ratings Program.



BLOWER DIMENSIONS (IN INCHES)

MODEL NO.	A	B	C	D	G	H	J	M	WEIGHT
CM-8SL	14 3/4	24	21	19 1/4	1/2	9 1/4	6 1/4	20	125
CM-10SL	14 3/4	24	21	19 1/4	1/2	9 1/4	6 1/4	20	130
CM-14SL	17 1/8	28	25	23 1/4	1/2	10	7	27	155
CM-20SL	18 3/4	30 1/4	27 1/4	25 1/2	1/2	11 1/8	8	27 7/8	185
CM-25SL	20 3/4	33 1/4	30 1/4	28 1/2	5/8	12 1/4	9 1/4	28 7/8	260
CM-30SL	25 1/4	39 1/4	36 1/4	34 1/2	5/8	15	12	33 5/8	325
CM-32SL	27 3/4	42 3/8	39 3/8	37 5/8	5/8	16 1/2	13 1/2	34 7/8	390
CM35-SL	30 7/8	48	45	43 1/4	3/4	18 1/4	15	36 3/8	490
CM-40SL	34	52 3/4	49 3/4	48	3/4	20 1/4	17	45 3/4	625

CHECK OPTIONAL EQUIPMENT REQUIRED

- Vibration Pads Weather Cover Aluminum Wheel Fan Platform
 Vibration Rails Back Draft Damper Expl'n Resistant Motor Inlet & Discharge Conn. - See Drwg. 86-F10
 Other _____

Job Name _____

Customer _____

Quantity	Tag Number	Model Number	JOB REQUIREMENTS			MOUNTING		ELECTRICAL			
			CFM	SP	HP	Vertical	Horizontal	Volts	Phase	Hz	