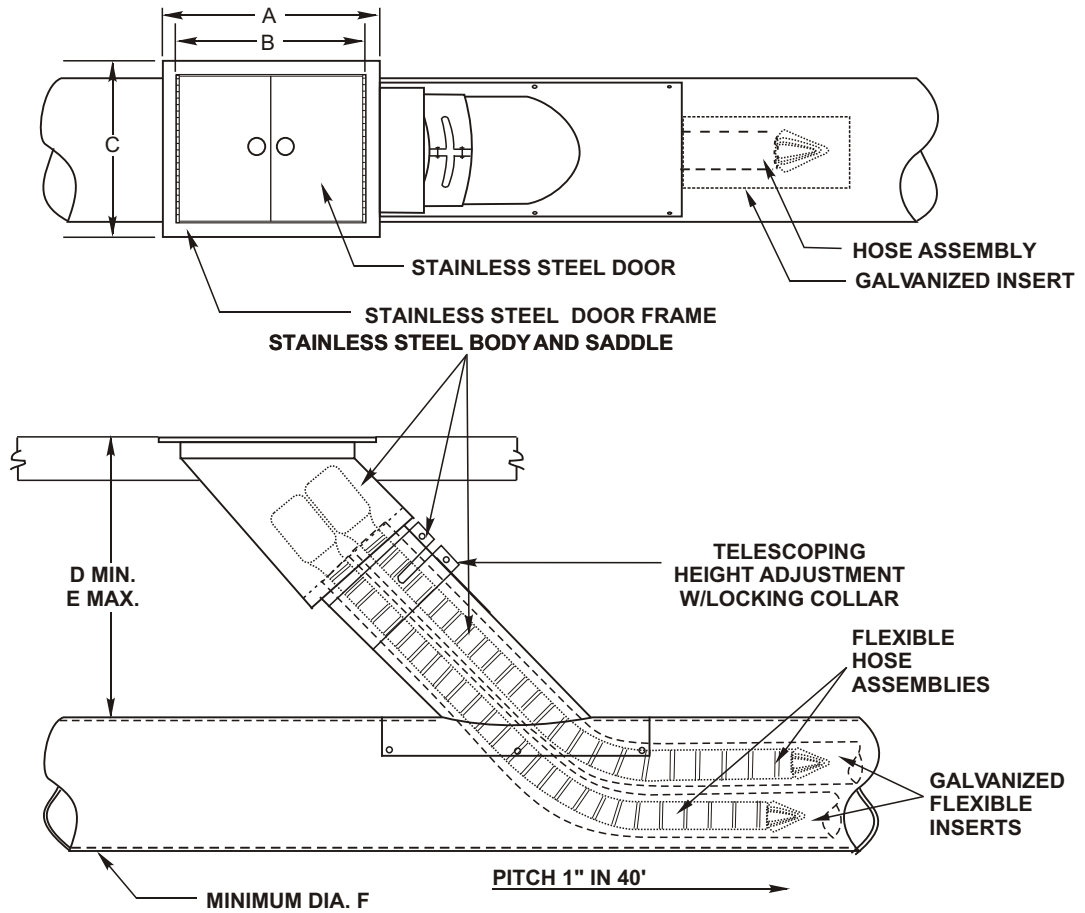
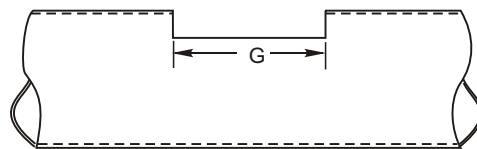


CAR-MON FLOOR RECEPTACLE SERIES 05 DUAL CONCEALED TYPE ALL STAINLESS STEEL CONSTRUCTION

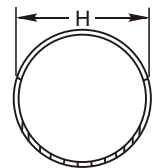


SADDLE SIZE INFORMATION

MODEL NUMBER	QUANTITY	DUCT DIAMETER



DETAIL OF OPENING IN UNDERFLOOR DUCT



Series 05 Dual concealed floor units are constructed with **stainless steel** doors, **stainless steel** door frame, 20 gauge **stainless steel** body and **stainless steel** saddle. The lay-flat door assembly is constructed with a continuous **stainless steel** hinge fastened to the door frame with **stainless steel** bolts. The telescoping body and saddle assemblies provide height adjustment and are held in place with a **stainless steel** locking collar. Two galvanized integral flexible inserts are provided to accommodate a wide selection of hose types enabling easy insertion and removal of flexible hose assemblies. Unit accommodates two tube assemblies 3" or 4" in diameter, with a maximum length of 10 feet.

Recommended piping mediums are schedule 40 PVC, fiberglass, or stainless steel spiral duct.

NOTE: Factory reserves the right to change dimensional data without notice.

MODEL NO.	QTY.	Underfloor Duct		Hose Assembly			A	B	C	D	E	F	G	H
		TYPE	SIZE	DIA.	TYPE	LENGTH								
05TRD-4							19½"	16½"	15 1/8"	15"	18"	12"	17"	11½"