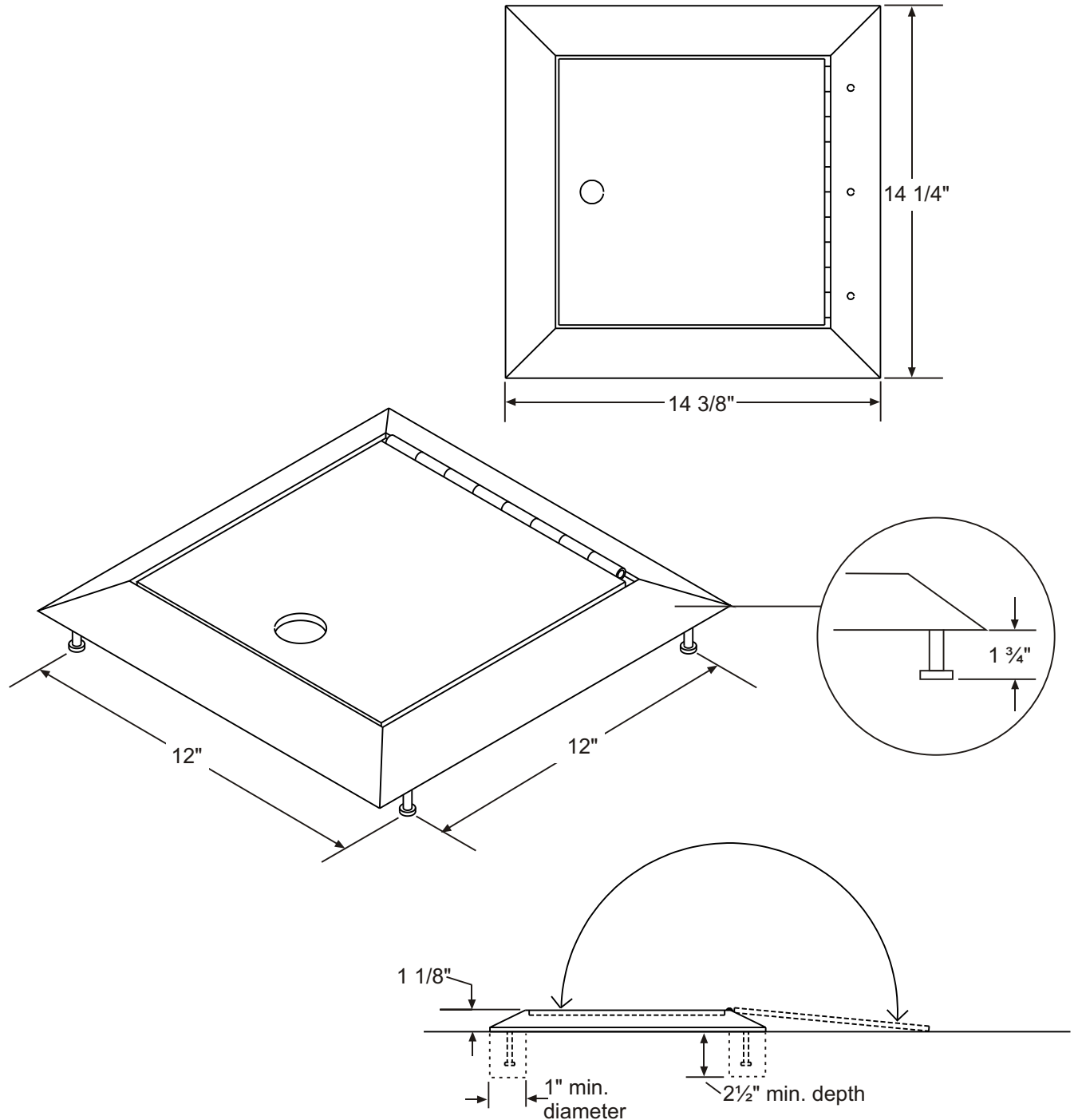


# SERIES RFC REPLACEMENT FLOOR COVER WITH DOOR



**Series RFC** replacement floor cover with door is constructed of 1/4" steel flat bar frames with a 10" x 10" x 1/4" thick door. The door is attached to an all stainless steel continuous hinge bolted to the frame with stainless steel bolts. It is supported by two internal structural angles when closed and opens completely to rest on the floor when in use. The unit is secured to the floor by four steel concrete anchors set into bored holes filled with concrete compound. Other configurations available, consult factory.

**Note:** Factory reserves the right to change dimensional data without notice.