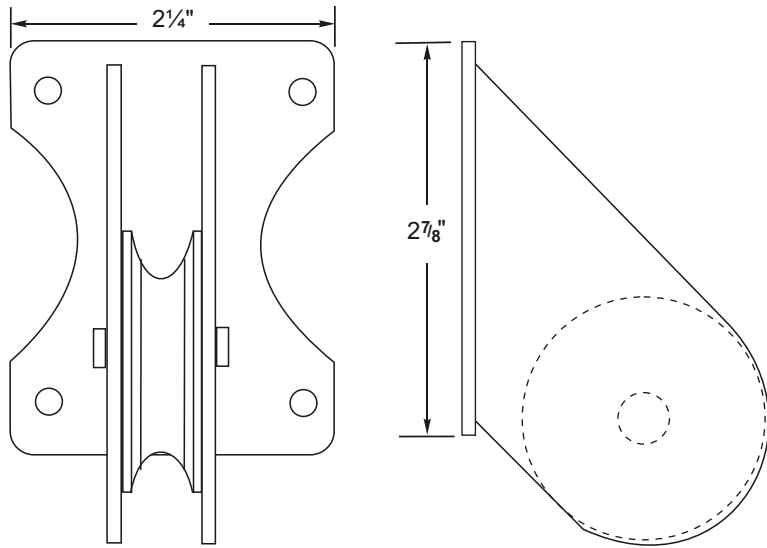
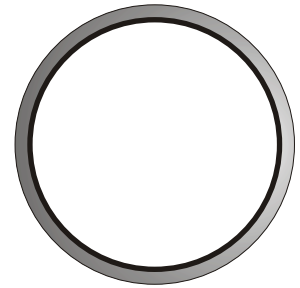


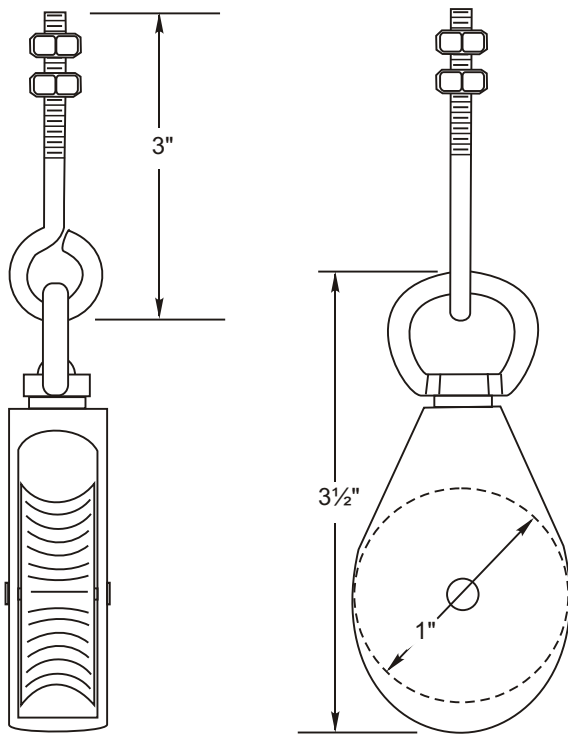
# CAR-MON PULL-UP SET HARDWARE



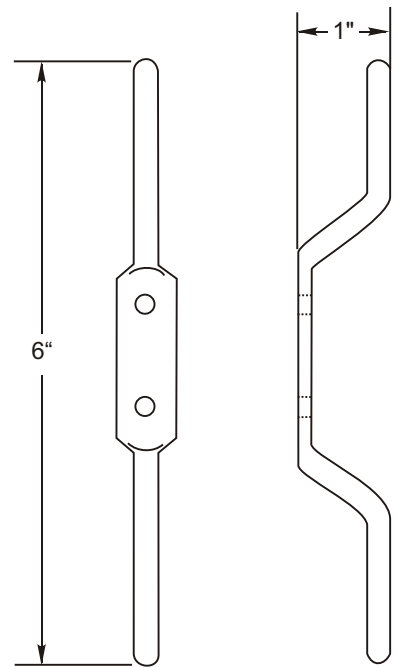
PLATFORM PULLEY



2" STEEL CADMIUM  
PLATED LIFT RING



2" CAST STEEL CADMIUM  
PLATED SWIVEL BLOCK PULLEY



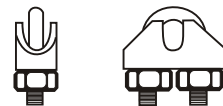
6" CAST STEEL CADMIUM  
PLATED WALL CLEAT



1/4" NYLON ROPE FOR PS SET



1/8" AIRCRAFT CABLE FOR PSW SET



1/8" CAST STEEL CADMIUM  
PLATED CABLE CLAMP