

PS - PSW PULL-UP SETS

INSTALLATION

See Page 2 for all illustrations, see below for product photos. The Ps set consists of wall cleats, a platform pulley, a swivel pulley, and nylon rope. PSW pull-up sets consists of one PSW winch with rubber wheel, a platform pulley, a swivel pulley, one cable clamp, and 50' of aircraft cable.

PS SET

When installing the PS set, install the wall cleats as shown. Follow directions below for installing the pulleys.

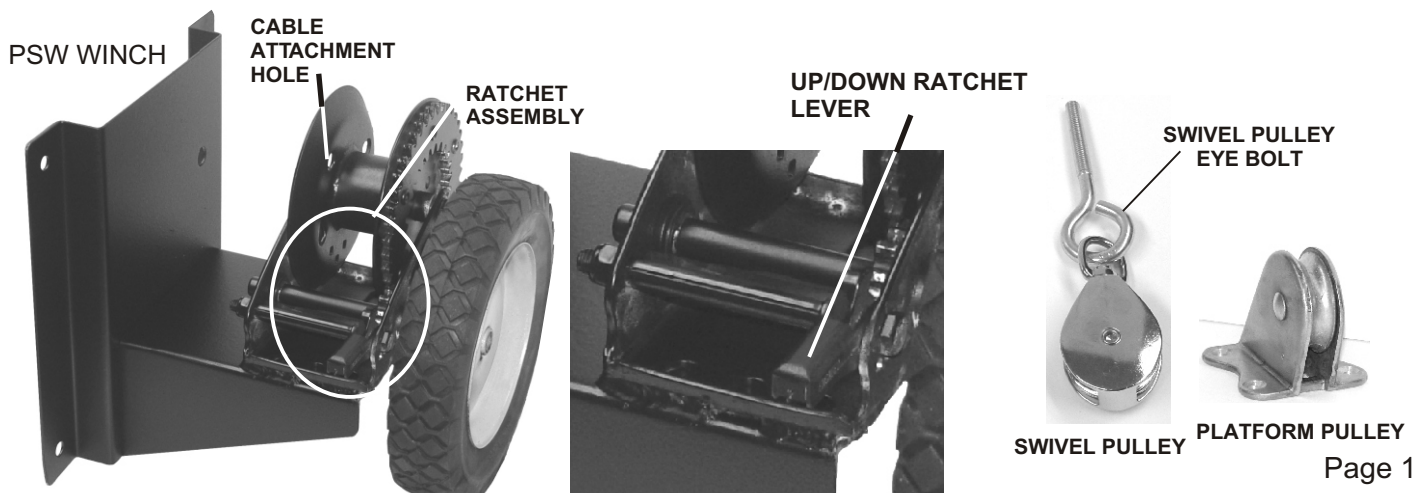
PSW SET

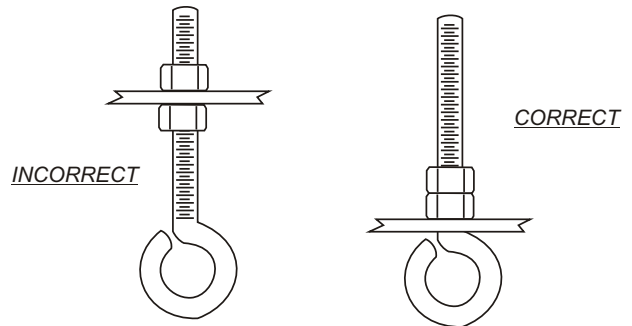
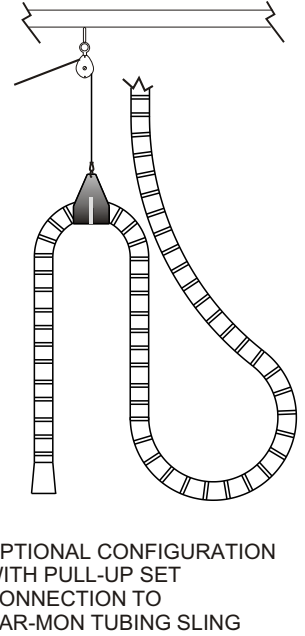
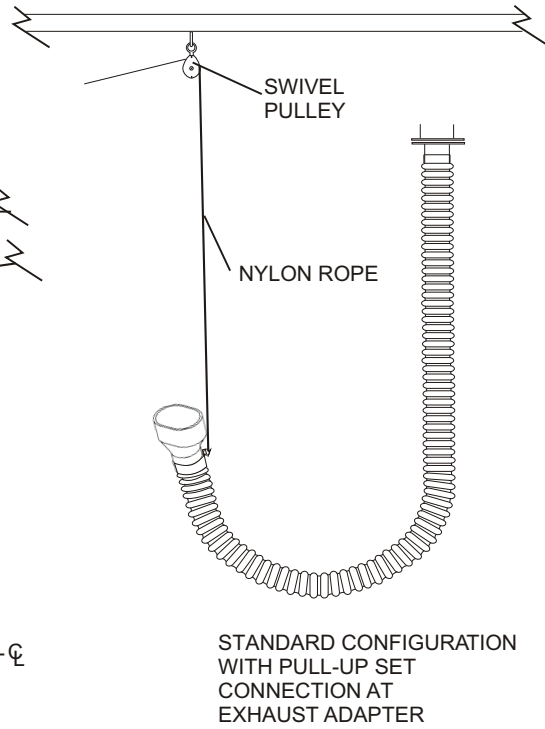
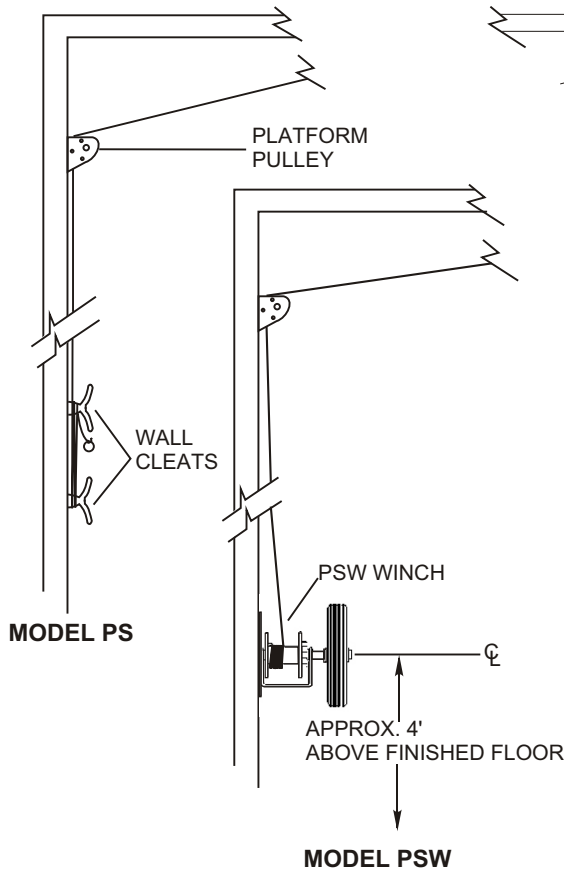
1. Install the wheel operated winch on a column or similar mounting surface. The winch mounting plate can be installed using 5/16" diameter steel bolts, or it can be welded to a metal surface. It should be positioned as close as possible to the work area and mounted approximately 4'0" above the finished floor.
2. Bolt the platform pulley directly above the winch approximately 18" below the surface on which the swivel pulley will be installed.
3. Bolt the swivel pulley to the roof joist or similar structure. The eye of the swivel pulley bolt should be directly below the mount surface with both bolts above the mounting surface. See the attached sketch. Be sure that the location chosen for the swivel pulley will allow the flexible tubing to "drape" when in the raised position. The cable should be essentially vertical between the swivel pulley and the attachment point on the tubing assembly when the tubing assembly is in the raised position.
4. Attach one end of the cable to the winch using through one of the holes in the winch. See next page for the procedure. Run the cable through the platform pulley and the swivel pulley. Using the cable clamp, attach the cable to the tubing assembly.

NOTE: Cable or nylon rope should be attached to adapters, slings, or wrapped around metal collars. It should not be wrapped around flexible tubing as it will damage the tube.

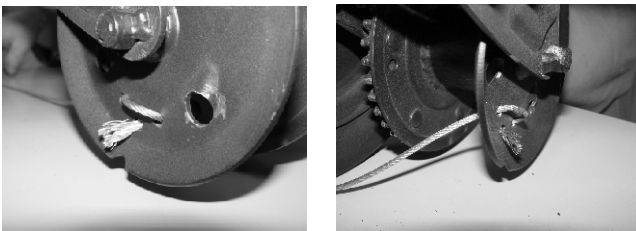
MAINTENANCE

The winch should be cleaned and lubricated every three months. Pulleys should be lubricated every six months. Nylon rope should be inspected every 6 months.





ATTACHING CABLE TO THE PSW DRUM



Wrap the cable through the holes in the side of the winch as shown.

INSTALLATION OF SWIVEL PULLEY EYE BOLT

