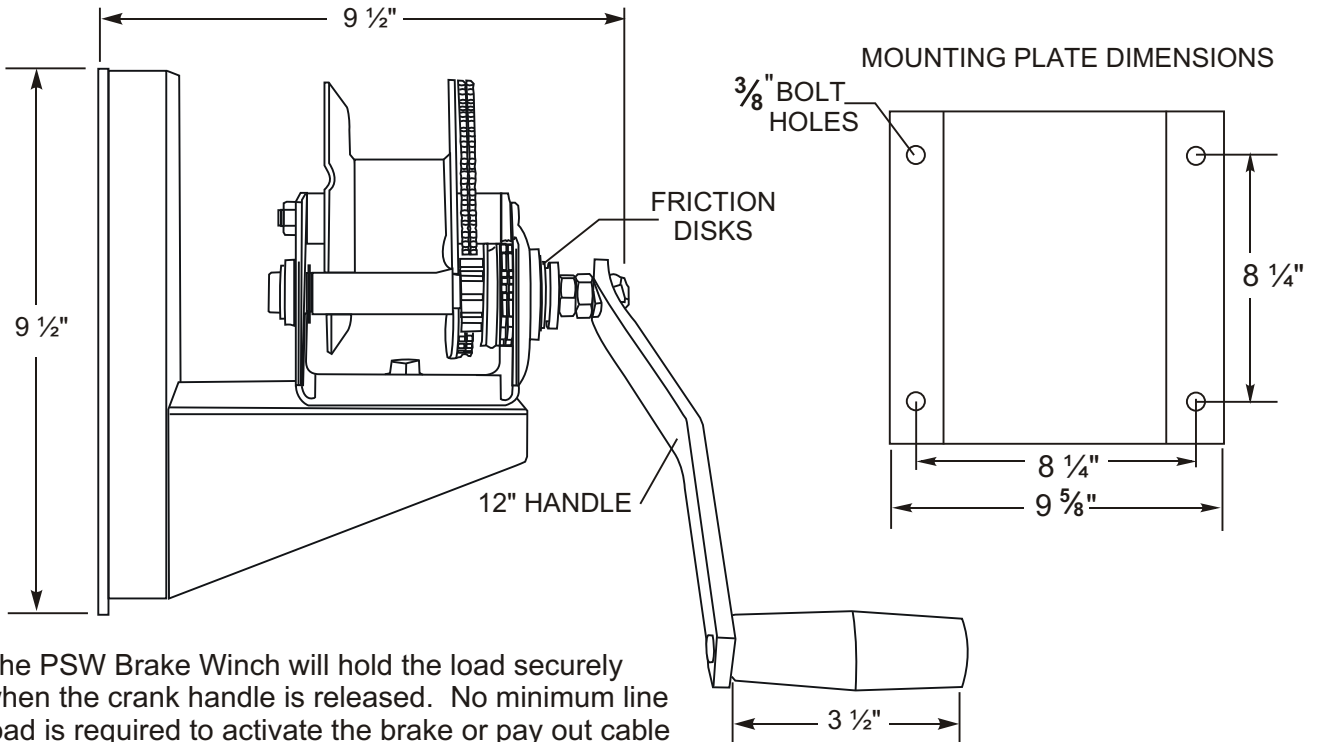
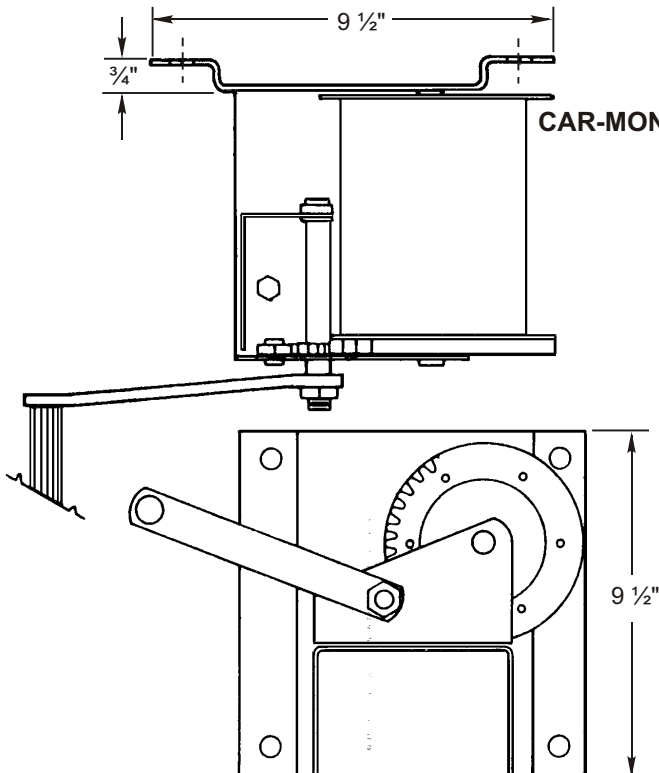


## CAR-MON MODEL PSW BRAKE WINCH WITH CRANK HANDLE



The PSW Brake Winch will hold the load securely when the crank handle is released. No minimum line load is required to activate the brake or pay out cable from the winch.

## CAR-MON MODEL PSWC CLOSED CIRCUIT WINCH



### CAR-MON PSWC WINCH INCLUDES THE FOLLOWING FEATURES:

- Drum of welded steel construction
- Gear drive reversible action winch
- Tabs with set screws for cable attachment
- Spring actuated safety ratchet
- 12 gauge steel base frame welded construction
- Roller grip handle

