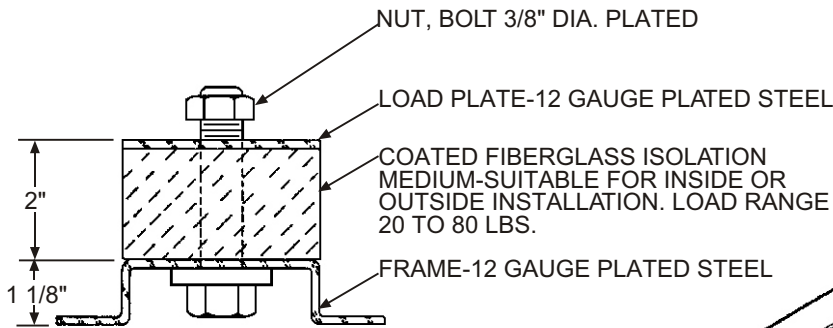


# CAR-MON EXHAUST FAN PLATFORMS SERIES CMB, CMD & BXi

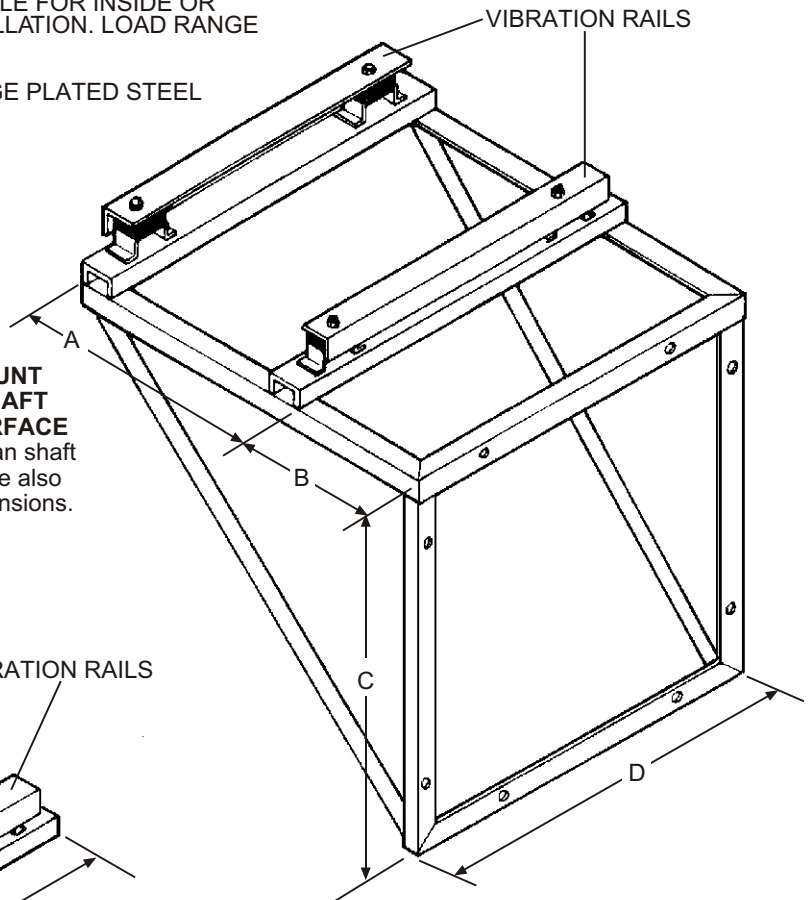
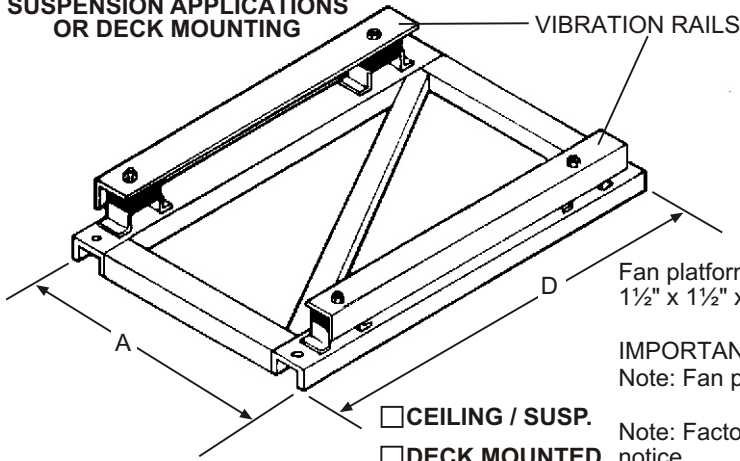


NOTE: OTHER TYPES OF VIBRATION MEDIUM AVAILABLE UPON REQUEST

**ISOLATOR ELEVATION DETAIL**

**PLATFORMS FOR WALL MOUNT APPLICATIONS WITH FAN SHAFT PARALLEL TO MOUNTING SURFACE**  
Platforms for mounting fans with fan shaft perpendicular to mounting surface also available. Consult factory for dimensions.

**PLATFORM FOR CEILING SUSPENSION APPLICATIONS OR DECK MOUNTING**



Fan platforms feature welded steel construction using vibration rails and 1 1/2" x 1 1/2" x 3/16" angle iron. See sheet 05-F7 for details.

**IMPORTANT!** Hanger rods by others for ceiling suspension fan platform. Note: Fan platforms available for Series SL fans, consult factory.

Note: Factory reserves the right to change dimensional data without notice.

CMB & F SERIES FANS									CMD SERIES FANS								
QTY.	MODEL NO.	WALL	CEIL./ DECK	A	B	C	D	WT.	QTY.	MODEL NO.	WALL	CEIL./ DECK	A	B	C	D	WT.
	8			15 1/4	7	22	30	55		5			11 5/8	6	18	14	40
	10			15 1/4	7	22	30	55		7			14 5/8	5 3/8	20	18	50
	14			21	7	28	33	80		9			14 5/8	5 3/8	20	18	50
	20			21	7	28	33	80		11			16	5 7/16	21 1/16	23	50
	25			21	8	29	35	85		13			13 3/4	8	22	18	50
	30			25 1/4	9	34	38	90		<b>BXi SERIES FANS</b>							
	32			25 1/4	10	35	39	95		12A0			21	7	28	33	80
	35			31 1/4	10	41	49	110		15A0			21	8	29	35	85