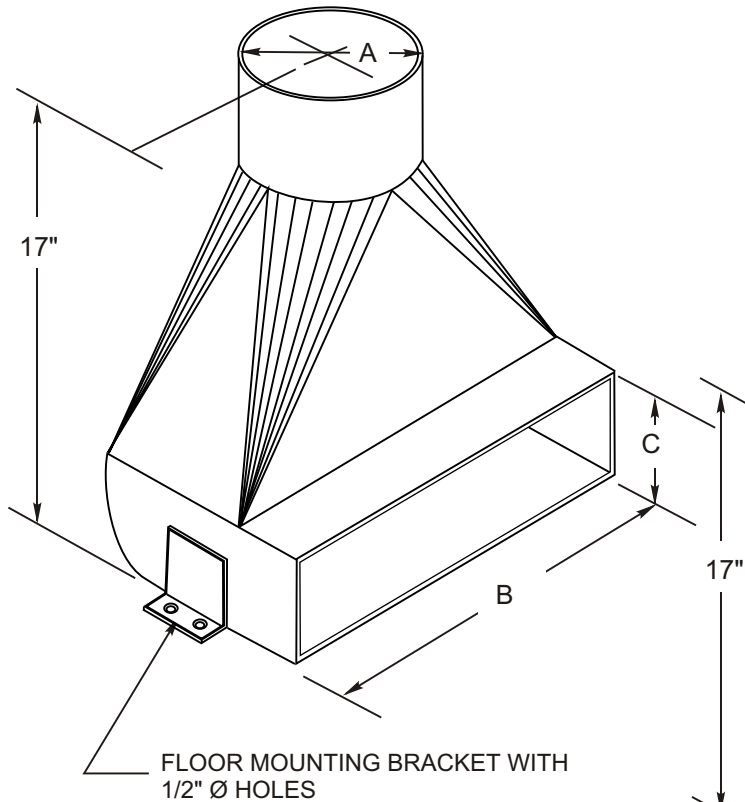
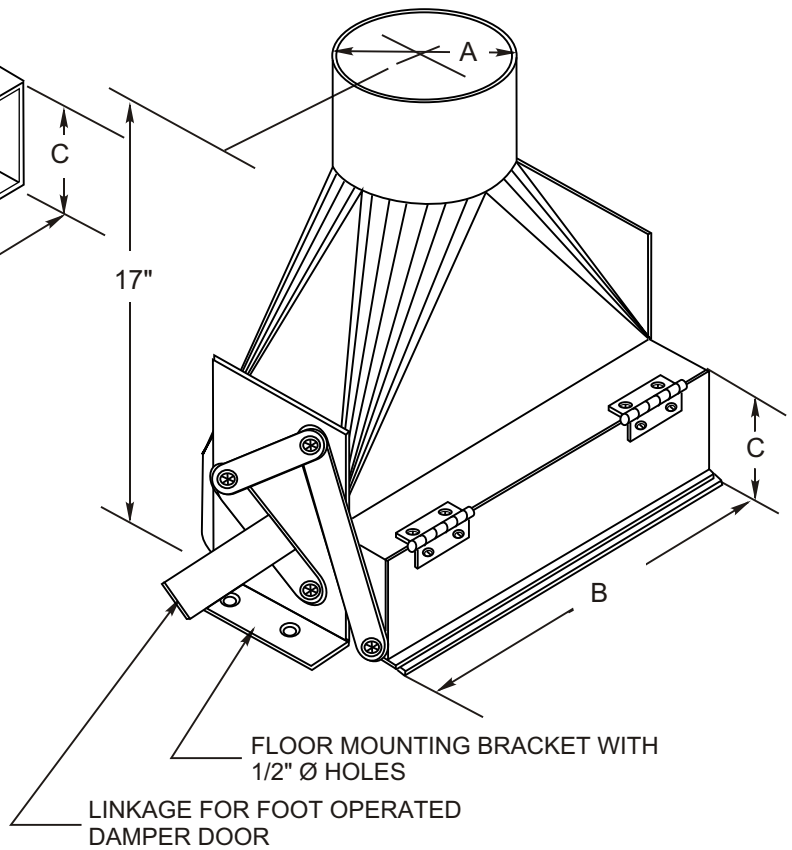


SERIES FS FLOOR SWEEPS

SERIES FS-O FLOOR SWEEP



SERIES FS-F FLOOR SWEEP



ALL DIMENSIONS ARE IN INCHES

QTY.	CONNECT. COLLAR		MODEL	A	B	C	CFM
	CRIMPED	OPEN					
SERIES FS-O FLOOR SWEEP							
			FS-O4	4	12	2	350
			FS-O5	5	12	2½	550
			FS-O6	6	12	3½	750
SERIES 55-F FLOOR SWEEP							
			FS-F4	4	12	2	350
			FS-F5	5	12	2½	550
			FS-F6	6	12	3½	750

CAR-MON SERIES FS-O AND FS-F FLOOR SWEEPS have a minimum resistance airflow design with dimensional considerations based on 4000 FPM nominal duct velocity.

Features include 18 ga. galvanized steel welded construction and floor mounting bracket with 3/8" dia. holes for permanent attachment. The connection collar is available either straight or crimped; please specify when ordering.

Series 55-F has built-in hinged damper with foot-operated damper door opener, including linkage pivots.

CAR-MON PRODUCTS, INC.

1225 Davis Road, Elgin, IL 60123 847/695-9000
www.car-mon.com e-mail: info@car-mon.com

99-S1