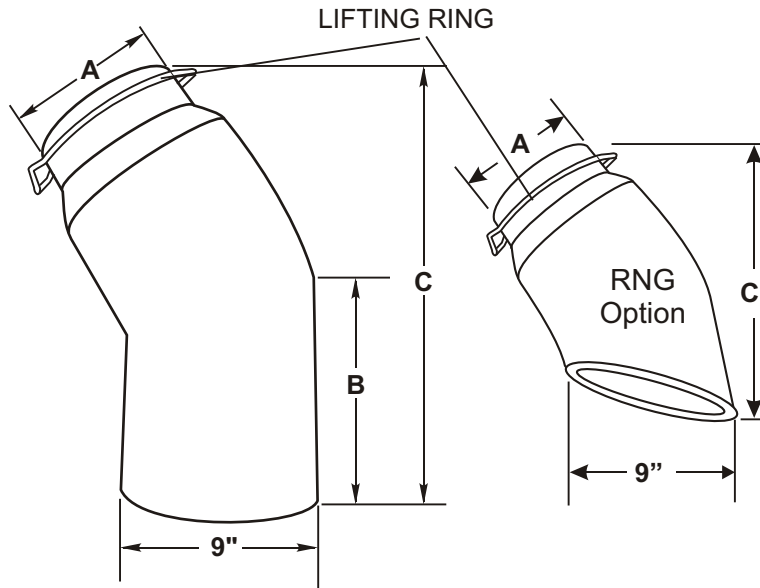


# CAR-MON SPECIAL ADAPTERS

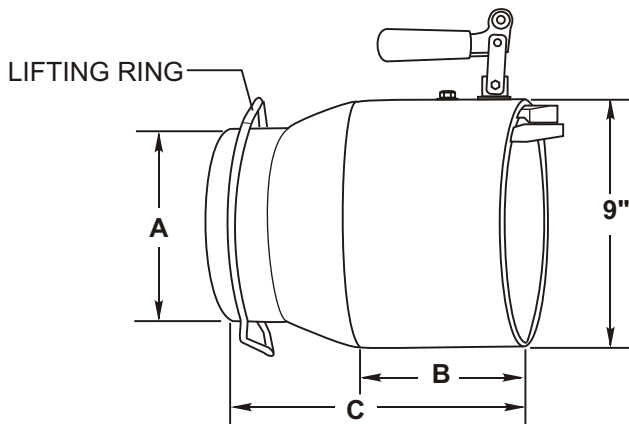
## Series RDS



**Series RDS Diesel Stack Adapter** is molded of advanced resin EPDM providing a no-scratch, heat resistant fitting with contour shape that adapts to curved and straight stacks. Large 9" diameter inlet accommodates most stacks with rain dampers. Steel collar with debris screen provided for attachment to 5", 6", 7", or 8" hose. An **optional** lifting ring, **Series LR**, with cable attachment and pull down loop, is available.

QTY.	MODEL	A	B	C	LR
	RDS-5	5"	10"	20"	
	RDS-6	6"	10"	20"	
	RDS-7	7"	10"	20"	
	RDS-8	8"	10"	20"	
	RNG-6	5"		15"	
	RNG-5	6"		15"	
	RNG-7	7"		15"	
	RNG-8	8"		15"	

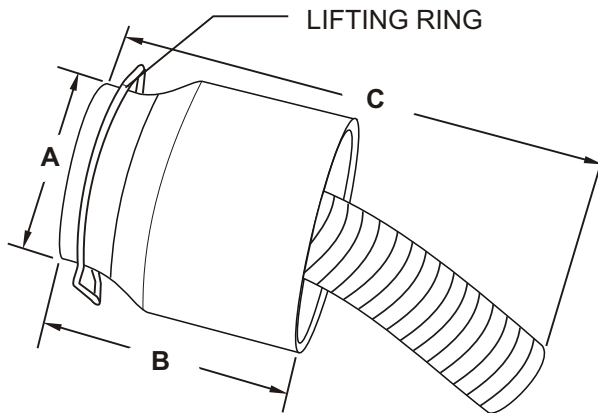
## Series RCT



**Series RCT Clamp Adapter** is molded of advanced resin EPDM providing a no-scratch fitting and heat tolerance for normal truck testing. The locking clamp device is spring loaded for secure attachment and easy removal. An **optional** lifting ring, **Series LR**, with cable attachment and pull down loop, is available.

QTY.	MODEL	A	B	C	LR
	RCT-5	5"	6"	9"	
	RCT-6	6"	6"	9"	
	RCT-7	7"	6"	9"	
	RCT-8	8"	6"	9"	

## Series RBA



**Series RBA Bus Adapter** is molded of advanced resin EPDM. The flexible insert collar provides secure positioning in rear vertical and angular exhaust pipe configurations. An **optional** lifting ring, **Series LR** with cable attachment and pull down loop, is available.

QTY.	MODEL	A	B	C	LR
	RBA-5	5"	9"	22"	
	RBA-6	6"	9"	22"	
	RBA-7	7"	9"	22"	
	RBA-8	8"	9"	22"	