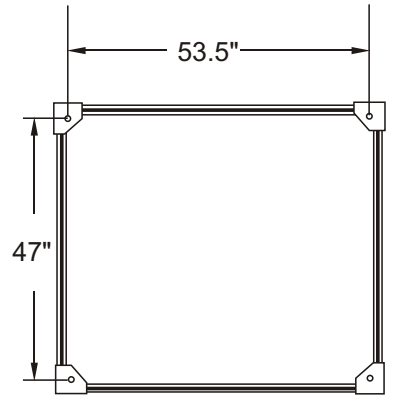
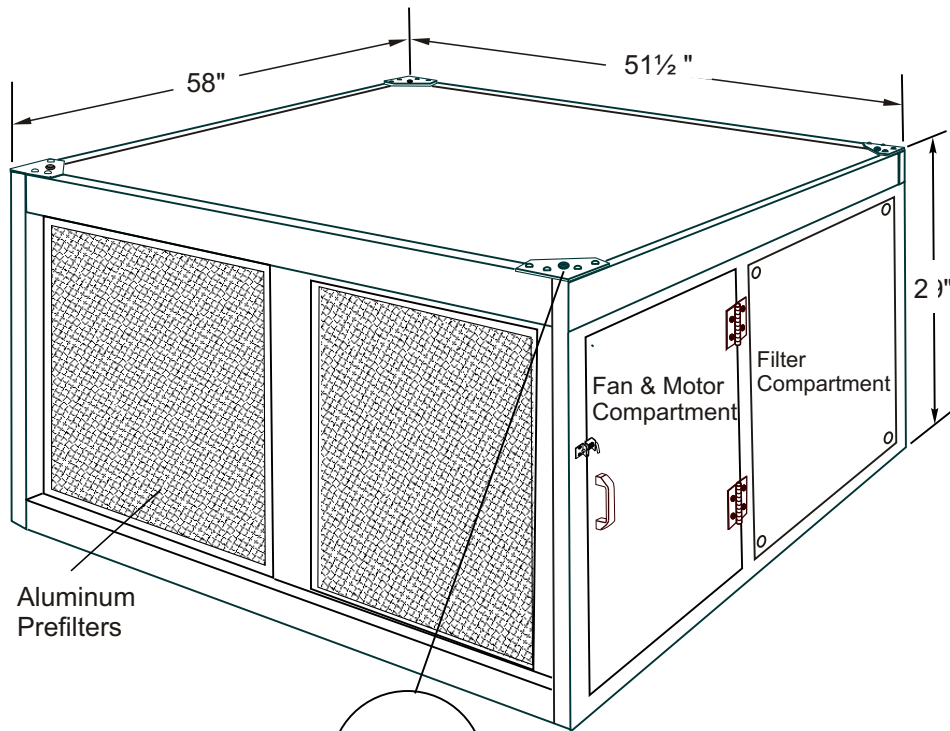
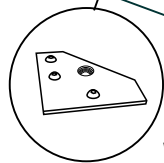


# CMX-224 MEDIA FILTER UNIT

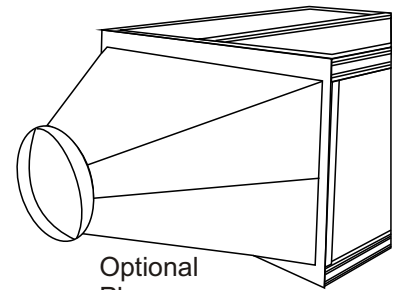


Mounting Bracket Detail

Aluminum Prefilters

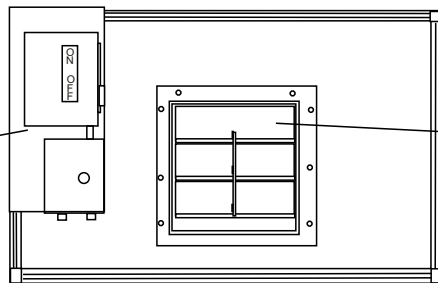


MOUNTING HOLE DETAIL  
WELDED NUT UNDER PLATE  
1/2-13 THREADED OPENING



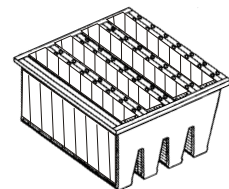
Optional Plenum

Power Controls  
(Will vary with specification)



Rear View

Discharge Louver



Media Filter Unit  
FM-24 (2 Req.)

Car-Mon Media Filter Unit Model CMX-224 includes a structural frame with welded steel construction containing a belt drive fan, factory wired interlock and safety lockout/tagout disconnect switch. Two nominal 24" x 24" spark arresting aluminum pre-filters and two 24" X 24" 95% honeycomb type "V" bank media filter modules are standard. Consult factory for other filter options and unit configurations.

QTY	CFM	SP	HP	ELECTRICAL			ACCESSORIES	OPTIONAL ACCESSORIES
				VOLT	PH	HZ		
								(1). Inlet Plenum - Specify diameter
								(2). Remote Starter - Specify electrical
								(3). HEPA Filter
								(4). Carbon Filter
								(5). 4 way Directional Discharge Louver
								(6). Back Draft Damper
								(7). Other _____