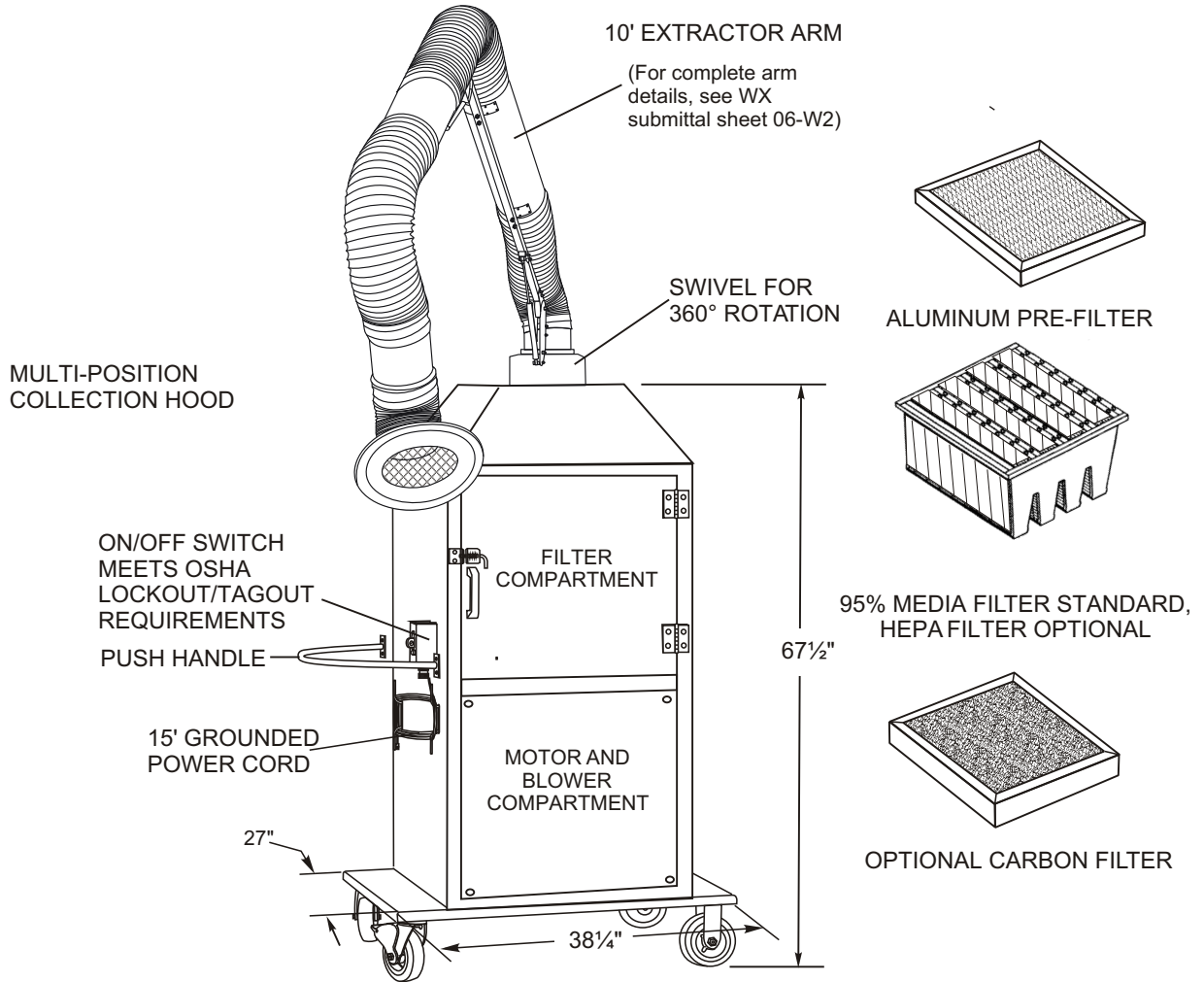


PORTABLE AIR CLEANERS

SERIES CMX MEDIA FILTER UNIT



PRODUCT FEATURES

Portable units are complete with belt drive fan and a 10 foot fume extraction arm constructed of 8" diameter tubular sections joined by unobstructed flex hose connections. The arm rotates on a bearing assembly comprised of a non-metallic, lubricistic synthetic material. To provide ease of movement, the base is equipped with phenolic casters, two fixed and two swivel, with locking devices for positive placement. A 15' grounded extension cord is also provided. **Series CMX** is equipped with an aluminum pre-filter, a standard 95% media filter or an optional HEPA filter at extra cost. 2" filter slot is available for an optional carbon filter. Other arm lengths, as well as custom filter configurations are available, consult factory for dimensional information. Unit is manufactured in USA, using American components, by Car-Mon Products, Inc. Elgin, Illinois.

Note: Factory reserves the right to change dimensional data without notice.

QTY.	MODEL	HP	CFM	VOLT/PH/Hz	ARM LENGTH	ARM DIAMETER	PRE-FILTER	FILTER TYPE			OPTIONS
								95% MEDIA	HEPA	CARBON	
	CMX-124PA	1	1000	120/1/60	10'	8"	ALUMINUM				