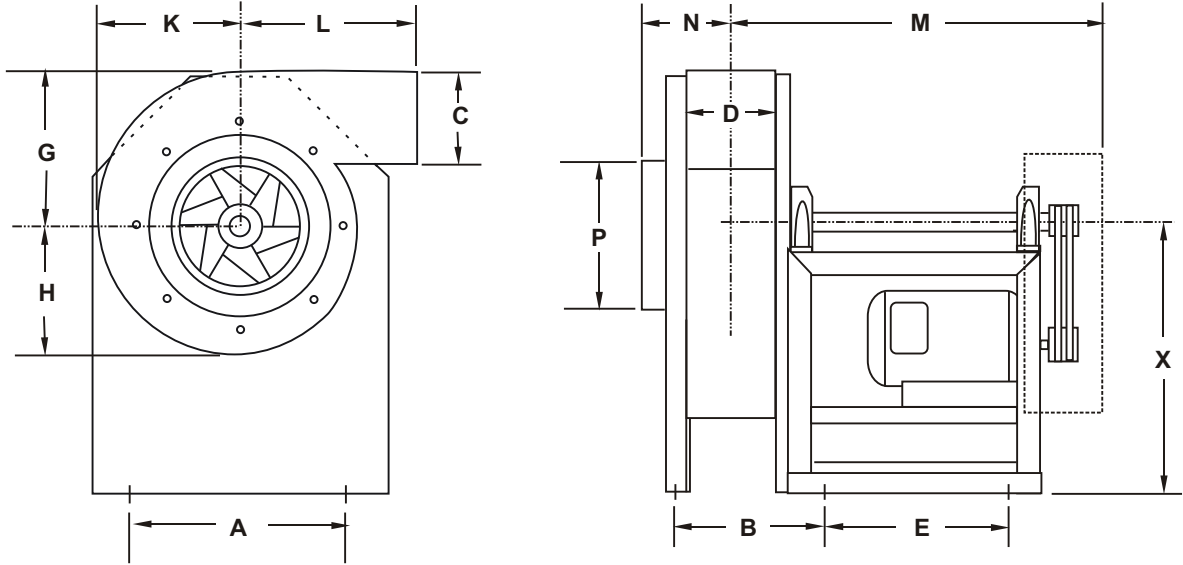


CAR-MON SERIES BXi HIGH STATIC AIR MOVER



| Model | Wheel Dia. | HP | A | B | C | D | E | G | H | K | L | M | N | P | X |
|----------|------------------|-----------------|----|------------------|-----------------|-----------------|----|------------------|------------------|------------------|----|------------------|-----------------|-----------------|----|
| BXi-12A7 | 12 $\frac{1}{8}$ | 2 | 18 | 6 $\frac{3}{4}$ | 6 $\frac{1}{4}$ | 4 $\frac{1}{2}$ | 11 | 10 $\frac{3}{8}$ | 8 $\frac{3}{4}$ | 9 $\frac{1}{2}$ | 12 | 21 $\frac{1}{6}$ | 4 $\frac{3}{4}$ | 7 $\frac{1}{4}$ | 18 |
| BXi-12A0 | 12 $\frac{1}{8}$ | 3 | 18 | 8 $\frac{1}{2}$ | 6 $\frac{1}{4}$ | 6 $\frac{1}{4}$ | 11 | 10 $\frac{3}{8}$ | 8 $\frac{3}{4}$ | 9 $\frac{1}{2}$ | 12 | 22 | 5 $\frac{1}{2}$ | 7 $\frac{1}{4}$ | 18 |
| BXi-15A6 | 15 $\frac{1}{2}$ | 5 | 18 | 9 | 8 $\frac{1}{6}$ | 6 $\frac{3}{4}$ | 11 | 13 $\frac{3}{8}$ | 11 $\frac{1}{4}$ | 12 $\frac{1}{4}$ | 12 | 22 $\frac{1}{4}$ | 5 $\frac{3}{8}$ | 9 $\frac{1}{4}$ | 18 |
| BXi-15A0 | 15 $\frac{1}{2}$ | 7 $\frac{1}{2}$ | 18 | 10 $\frac{3}{4}$ | 8 $\frac{1}{6}$ | 8 $\frac{1}{2}$ | 11 | 13 $\frac{3}{8}$ | 11 $\frac{1}{4}$ | 12 $\frac{1}{4}$ | 12 | 23 $\frac{1}{8}$ | 6 $\frac{1}{4}$ | 9 $\frac{1}{4}$ | 18 |
| | | | | | | | | | | | | | | | |
| | | | | | | | | | | | | | | | |

Note: Dimensional data subject to change without notice.

CHECK OPTIONAL EQUIPMENT REQUIRED

- Vibration Pads
 Weather Cover
 Aluminum Wheel
 Fan Platform: Suspension or Deck Mount
 Wall
 Vibration Rails
 Back Draft Damper
 Expl'n Resistant Motor
 Inlet & Discharge Conn.– See Drwg. 79-F10
 Sound Attenuator

Other _____

Customer _____ Job Name _____

Standard equipment includes: Belt guards, turned ground and polished fan shafts, variable pitch V-belt motor drives, two groove pulleys with matched belts, adjustable motor bases, and high efficiency, air handling wheels of heavy gauge welded construction. All parts in the air stream are coated with an epoxy powder coating. Fan housings are fabricated of heavy gauge steel and are continuously welded. All fans are run tested at the factory and checked for compliance with our rigid balance standards. Clockwise rotation wheels and bottom horizontal discharge are standard. Either rotation and any one of 8 different discharge positions may be specified at time of order.

| Quantity | Tag Number | Model Number | JOB REQUIREMENTS | | | Rotation | Discharge | ELECTRICAL | | | |
|----------|------------|--------------|------------------|----|----|----------|-----------|------------|-------|----|--|
| | | | CFM | SP | HP | | | Voltage | Phase | Hz | |
| | | | | | | | | | | | |
| | | | | | | | | | | | |
| | | | | | | | | | | | |
| | | | | | | | | | | | |

CAR-MON PRODUCTS, INC.

1225 Davis Road, Elgin, IL 60123 847/695-9000
 www.car-mon.com e-mail: info@car-mon.com

01-F1