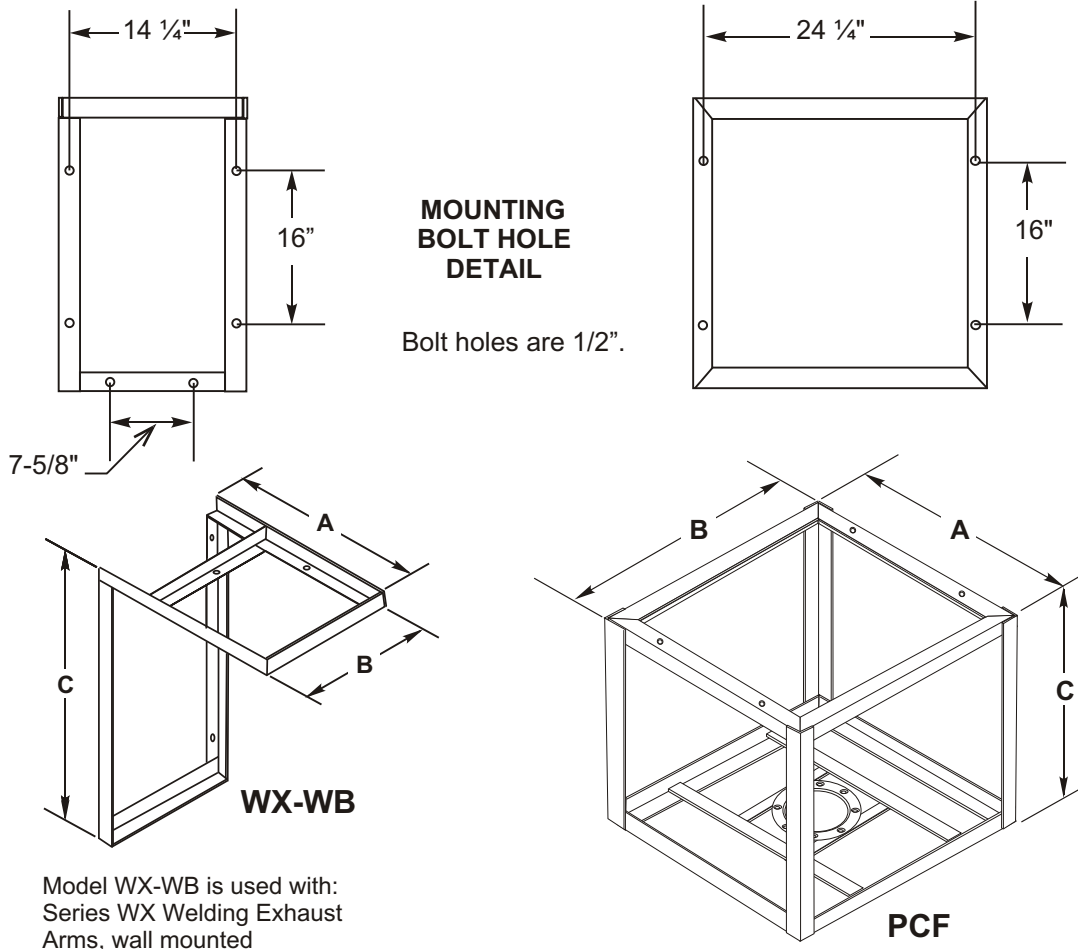


CAR-MON WELDING ARM MOUNTING PLATFORMS

All Welded Construction



Model WX-WB is used with:
Series WX Welding Exhaust
Arms, wall mounted

Model PCF is used with:
Series WX Welding Arms, ceiling
mounted

Note: Factory reserves the right to change dimensional data without notice

QUANTITY	MODEL	A	B	C
	WX-WB	23 3/4"	13 1/2 "	24"
	PCF	26"	26"	22"

Car-Mon platforms are constructed of 1 1/2" x 1 1/2" x 3/16" structural steel angle and are completely welded construction. Platforms are designed to be compatible with other Car-Mon accessories. Both wall and ceiling suspended platforms are available in custom configurations. Consult factory for details.