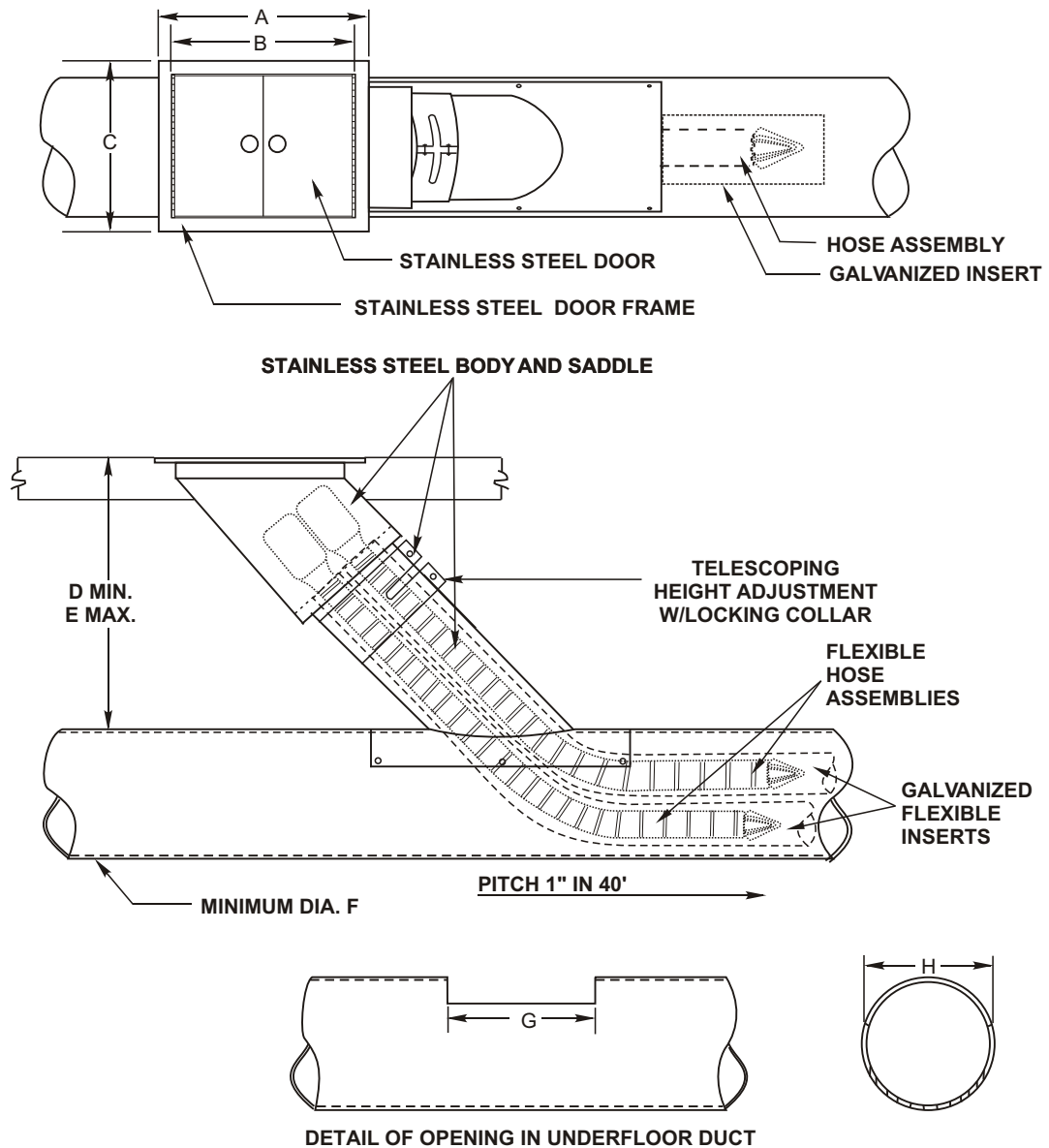


CAR-MON FLOOR RECEPTACLE SERIES 05 DUAL CONCEALED TYPE ALL STAINLESS STEEL CONSTRUCTION



Series 00 Dual concealed floor units are constructed with **stainless steel** doors, **stainless steel** door frame, 20 gauge **stainless steel** body and **stainless steel** saddle. The lay-flat door assembly is constructed with a continuous **stainless steel** hinge fastened to the door frame with **stainless steel** bolts. The telescoping body and saddle assemblies provide height adjustment and are held in place with a **stainless steel** locking collar. Two galvanized integral flexible inserts are provided to accommodate a wider selection of hose types enabling easy insertion and removal of flexible hose assemblies. Acceptable hose types include Car-Mon Types HTX-S, NE, CLXII, and Nu-Flex. Unit accommodates two tube assemblies 3" or 4" in diameter, with a maximum length of 10 feet.

Recommended piping mediums are PVC, fiberglass, or stainless steel spiral duct.

NOTE: Factory reserves the right to change dimensional data without notice.

MODEL NO.	QTY.	Underfloor Duct		Hose Assembly			A	B	C	D	E	F	G	H
		TYPE	SIZE	DIA.	TYPE	LENGTH								
05TRD-4							19½"	16½"	15 1/8"	15"	18"	12"	17"	11½"