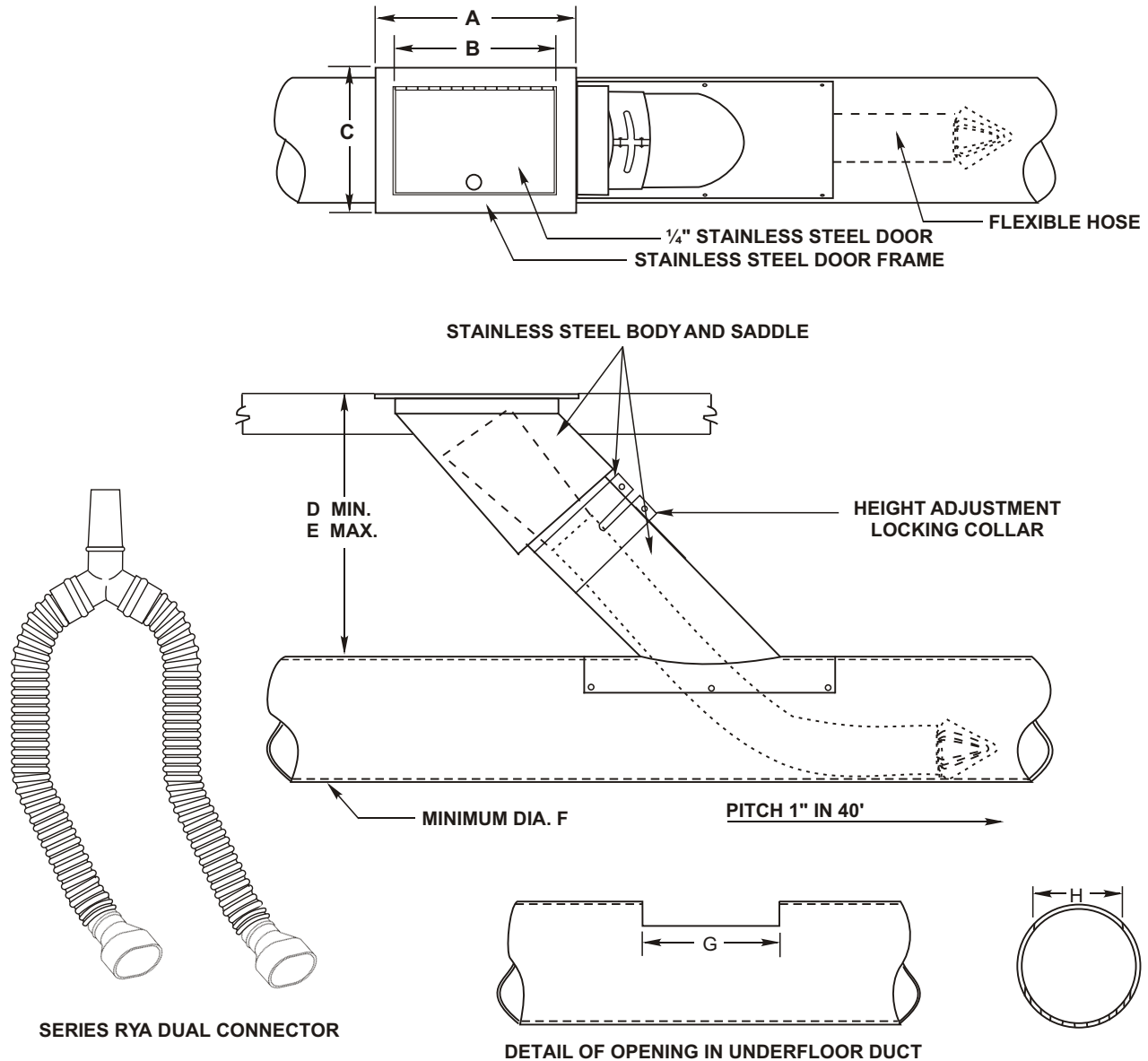


CAR-MON FLOOR RECEPTACLE **SERIES 05 SINGLE CONCEALED TYPE UNITS** ALL STAINLESS STEEL CONSTRUCTION



Series 05 Single concealed floor units are constructed with **stainless steel** doors, **stainless steel** door frame, 20 gauge **stainless steel** body and **stainless steel** saddle. The lay-flat door assembly is constructed with a continuous **stainless steel** hinge fastened to the door frame with **stainless steel** bolts. Acceptable hose types include Car-Mon Types NU, HTX-S, CLX-II, SS, or GA. Unit accommodates one tube assembly. For dual exhausts, use RYA dual connector consisting of 2-3" x 5" sections of NU hose, RO-3 EPDM adapters, and Y fitting to fit 3" or 4" adapter of underfloor unit.

Recommended piping mediums are PVC, fiberglass, or stainless steel spiral duct.

NOTE: Factory reserves the right to change dimensional data without notice.

MODEL NO.	QTY.	Underfloor Duct		Hose Assembly			RYA	A	B	C	D	E	F	G	H
		TYPE	SIZE	DIA.	TYPE	LENGTH									
05TR-4								13 1/8"	10 1/8"	9 1/2"	14"	17"	8"	12"	6"
05TR-5								17 1/8"	14 1/8"	13"	18"	21"	10"	16"	8"
05TR-6								17 1/8"	14 1/8"	13"	18"	21"	12"	16"	9"