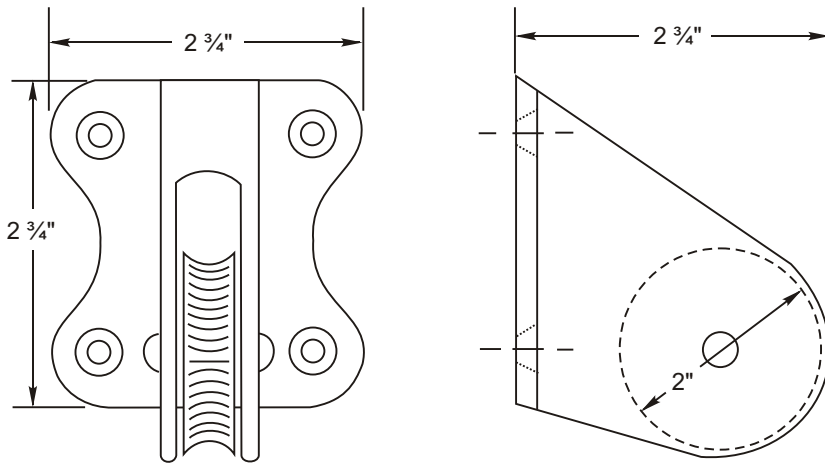
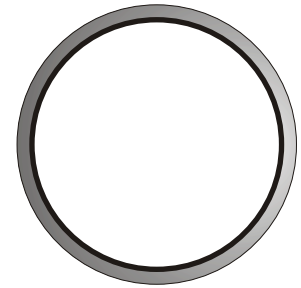


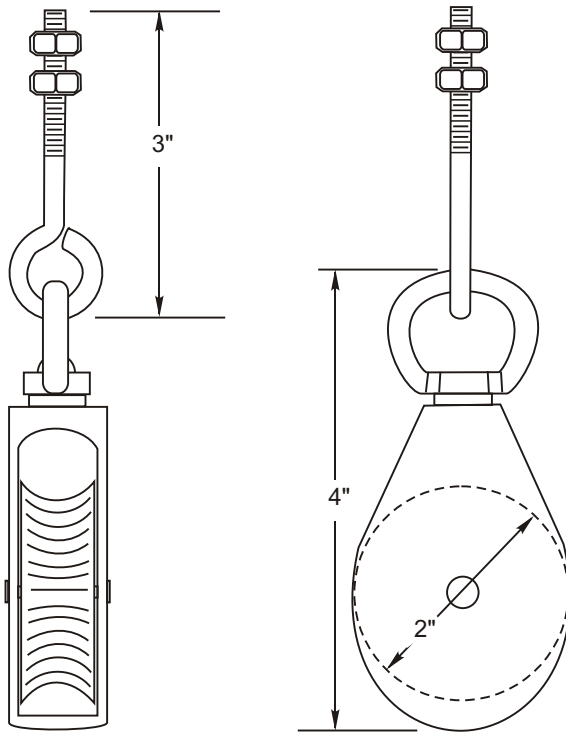
CAR-MON PULL-UP SET HARDWARE



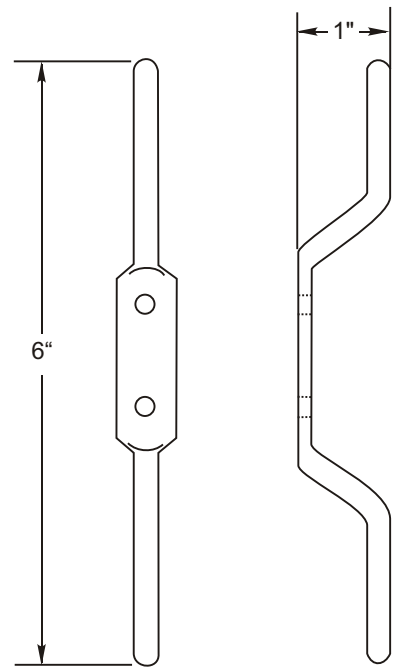
2" CAST PLATFORM PULLEY



2" STEEL CADMIUM
PLATED LIFT RING



2" CAST STEEL CADMIUM
PLATED SWIVEL BLOCK PULLEY



6" CAST STEEL CADMIUM
PLATED WALL CLEAT



1/4" NYLON ROPE FOR PS & PSW SETS



1/8" CAST STEEL CADMIUM
PLATED CABLE CLAMP