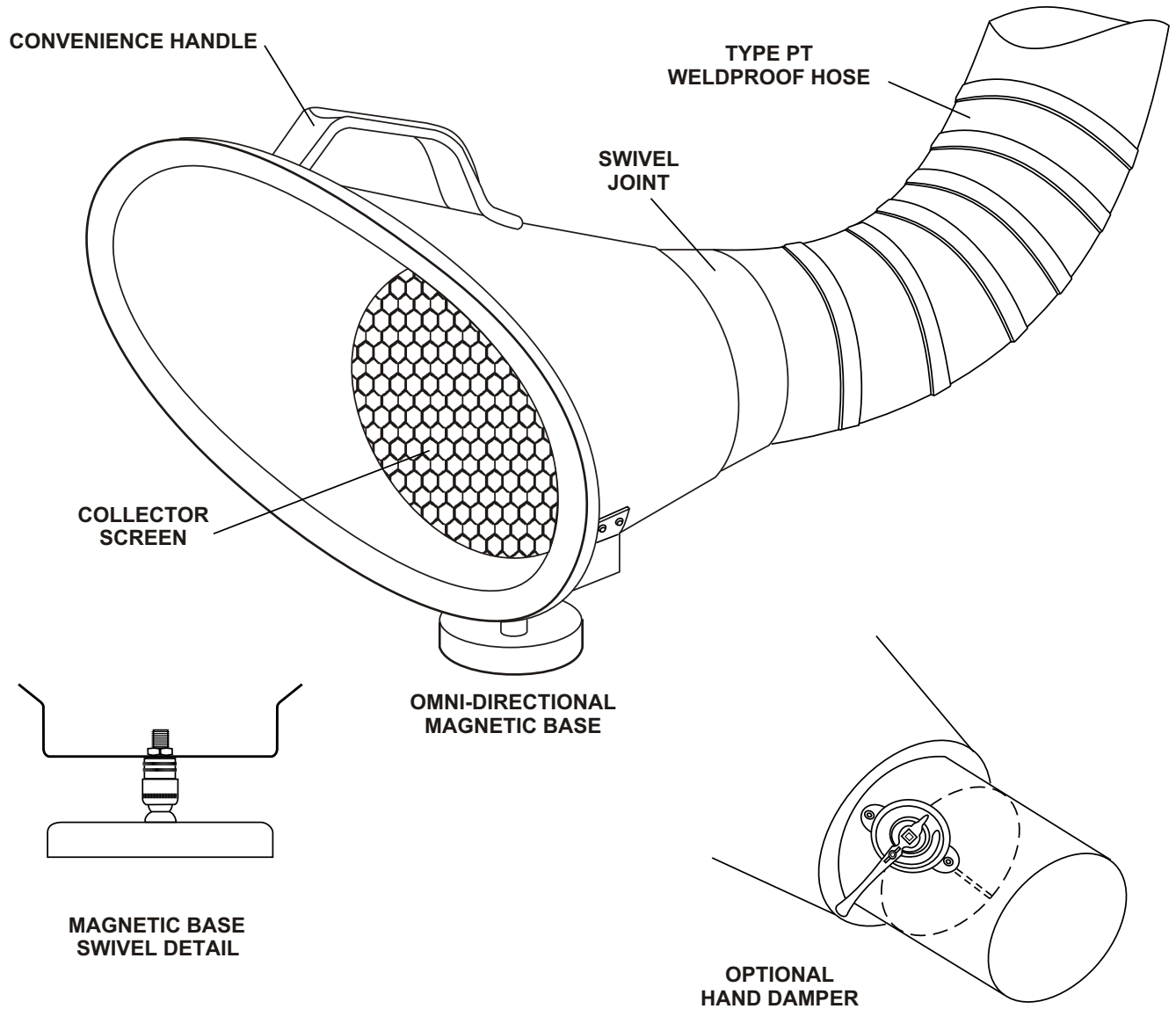


CAR-MON WELDING HOSE ASSEMBLY with TYPE PT HOSE and MODEL M RECEPTOR



OVERHEAD HOSE ASSEMBLIES			
Quantity	Diameter	Length	Hand Damper

Type PT Weldproof Flexible Hose has been specially developed for welding applications. The red coated polyester fabric is flame retardant, oil resistant, and spatter resistant, with an extra durable wearstrip.

Model M Welding Fume Receptor is formed from high impact rated, non-conductive ABS thermoset polymer compound. It comes with an integral swivel collar, omni-directional mount, circular magnetic base, convenience handle, and collector screen of corrosion resistant metal.

Optional Model MD Hand Damper has locking quadrant and is built into the swivel collar of the welding fume receptor.