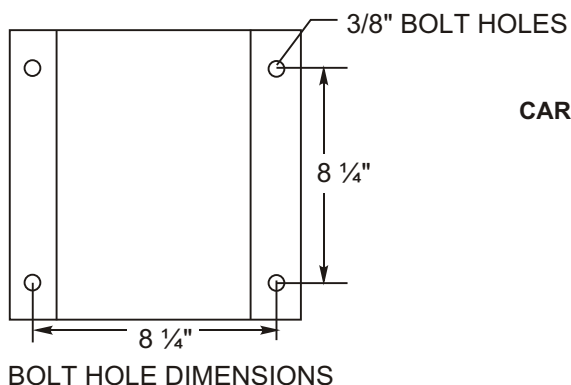
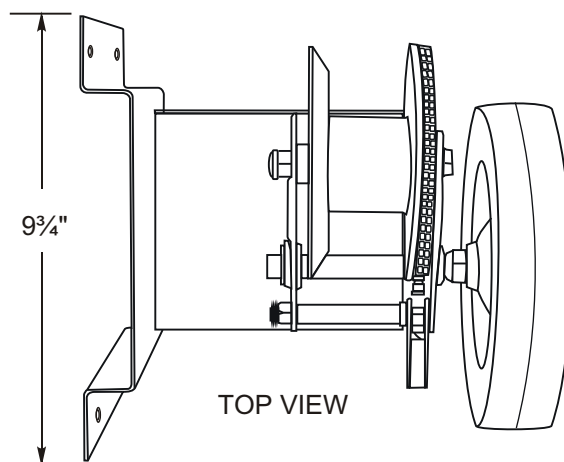
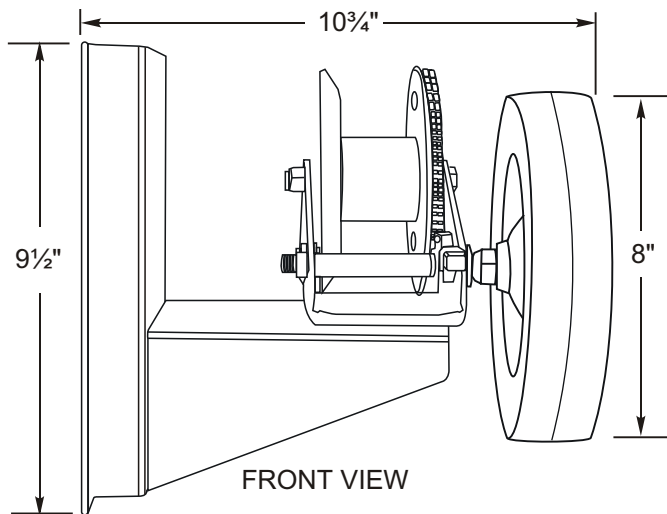


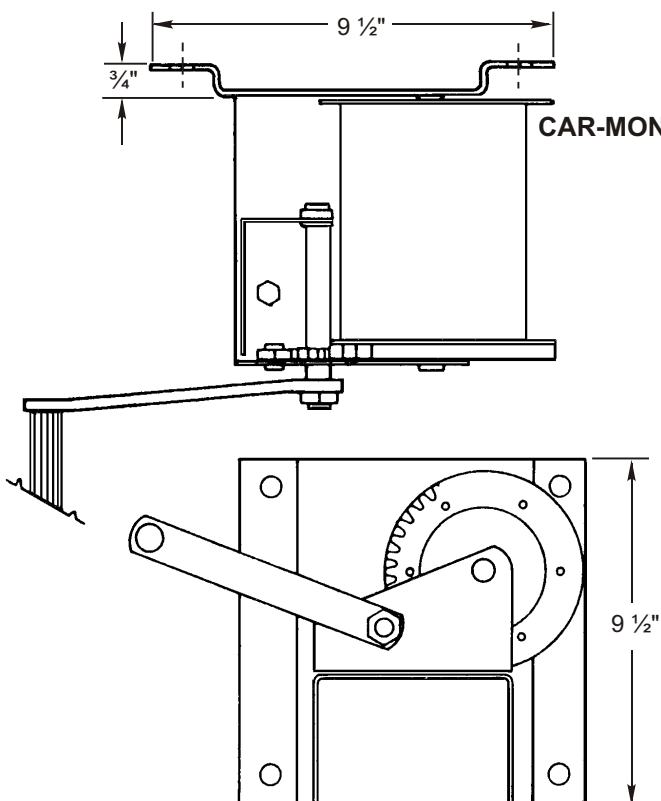
## CAR-MON MODEL PSW WINCH-SAFETY WHEEL OPERATED



### CAR-MON PSW WINCH INCLUDES THE FOLLOWING FEATURES:

- Direct drive one piece cast drum and gear
- Drum capacity: 125' of cable
- Spring actuated safety ratchet
- 3/16" steel base frame
- 12 gauge steel back plate
- 10" close-face wheel with rubberized hand grip
- 5/8" steel drum axle

## CAR-MON MODEL PSWC CLOSED CIRCUIT WINCH



### CAR-MON PSWC WINCH INCLUDES THE FOLLOWING FEATURES:

- Drum of welded steel construction
- Gear drive reversible action winch
- Tabs with set screws for cable attachment
- Spring actuated safety ratchet
- 12 gauge steel base frame welded construction
- Roller grip handle

