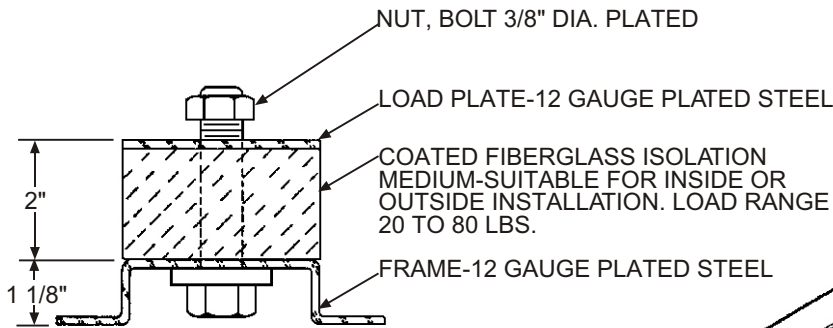


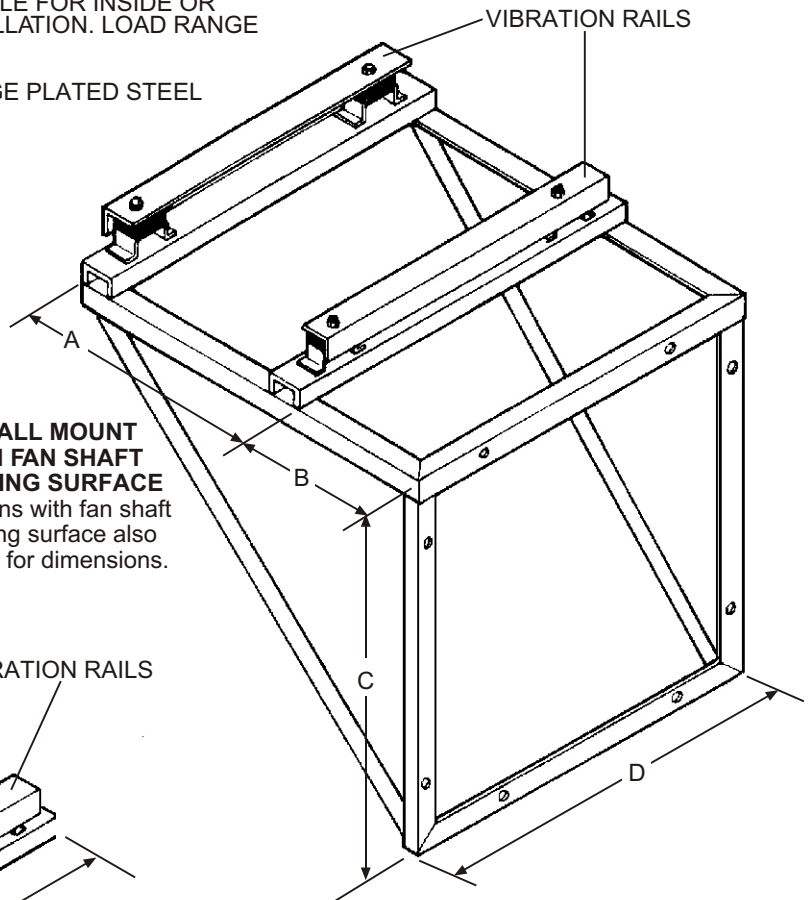
CAR-MON EXHAUST FAN PLATFORMS SERIES CMB, F, & CMD



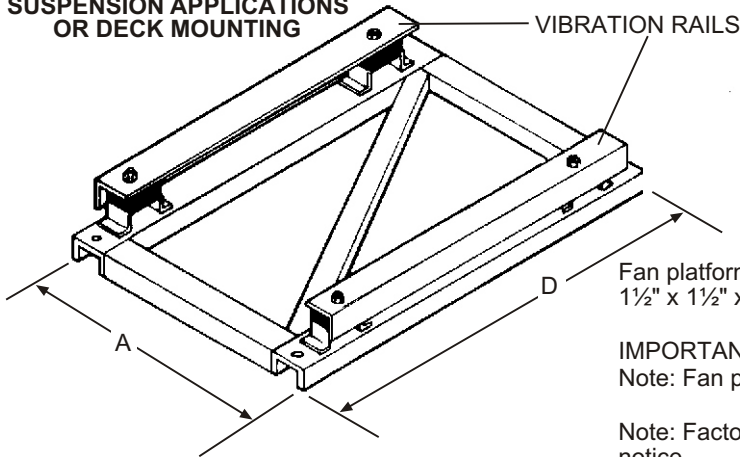
NOTE: OTHER TYPES OF VIBRATION MEDIUM AVAILABLE UPON REQUEST

ISOLATOR ELEVATION DETAIL

PLATFORMS FOR WALL MOUNT APPLICATIONS WITH FAN SHAFT PARALLEL TO MOUNTING SURFACE
Platforms for mounting fans with fan shaft perpendicular to mounting surface also available. Consult factory for dimensions.



PLATFORM FOR CEILING SUSPENSION APPLICATIONS OR DECK MOUNTING



Fan platforms feature welded steel construction using vibration rails and 1/2" x 1/2" x 3/16" angle iron. See sheet 05-F7 for details.

IMPORTANT! Hanger rods by others for ceiling suspension fan platform. Note: Fan platforms available for Series SL fans, consult factory.

Note: Factory reserves the right to change dimensional data without notice.

CMB & F SERIES FANS							CMD SERIES FANS						
QTY.	MODEL NO.	A	B	C	D	WT.	QTY.	MODEL NO.	A	B	C	D	WT.
	8	15 1/4	7	22	20	55		5	11 5/8	6	18	14	40
	10	15 1/4	7	22	20	55		7	14 5/8	5 3/8	20	18	50
	14	21	7	28	33	80		9	14 5/8	5 3/8	20	18	50
	20	21	7	28	33	80		11	16	5 7/16	21 7/16	23	50
	25	21	8	29	35	85		13	13 3/4	8	22	18	50
	30	25 1/4	9	34	38	90							
	32	25 1/4	10	35	39	95							
	35	31 1/4	10	41	49	110							