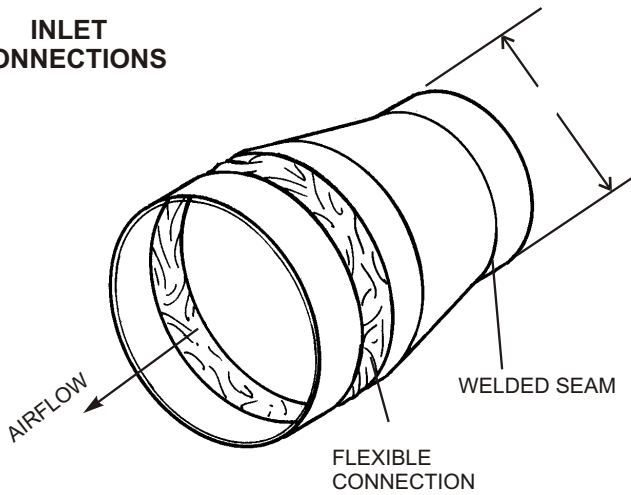


FAN INLET/DISCHARGE CONNECTIONS

INLET CONNECTIONS

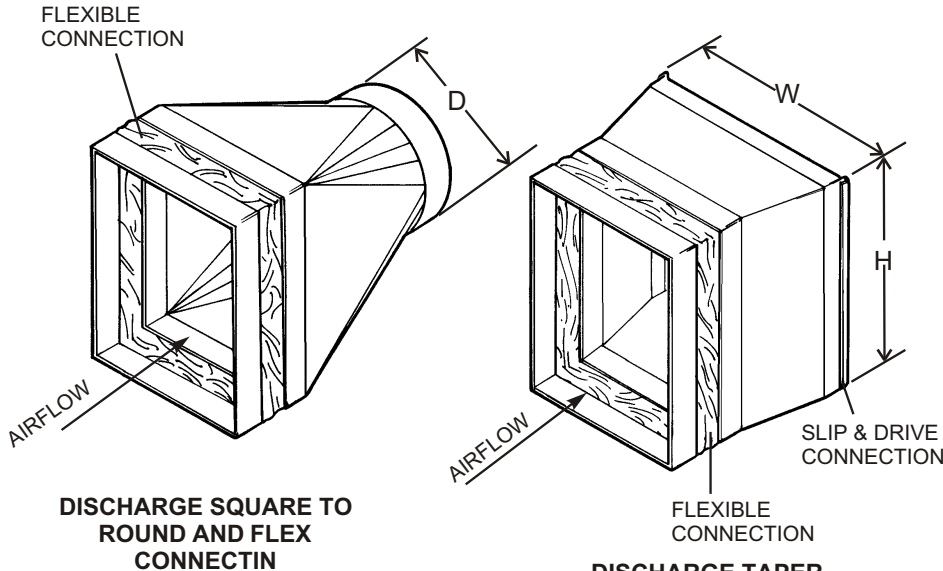


INLET TAPER AND FLEX CONNECTION

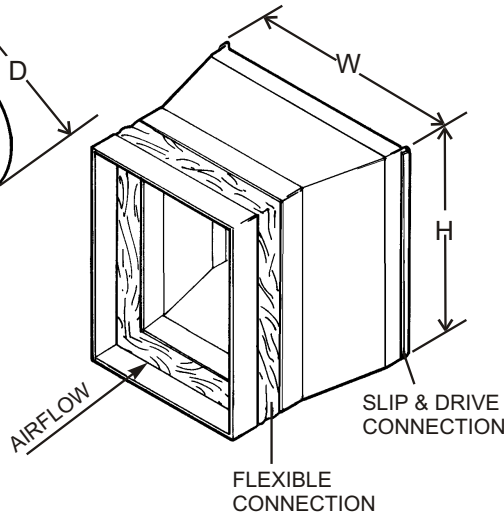


STANDARD INLET FLEX CONNECTION

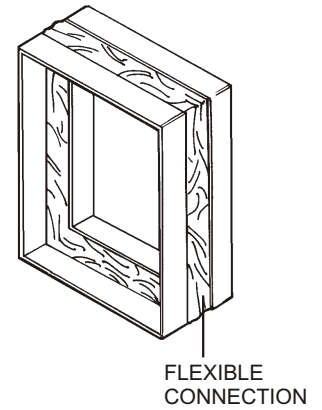
DISCHARGE CONNECTIONS



DISCHARGE SQUARE TO ROUND AND FLEX CONNECTION



DISCHARGE TAPER AND FLEX CONNECTION



STANDARD DISCHARGE FLEX CONNECTION

QUANTITY	FAN	INLET	DISCHARGE		
		D	H	W	D

Standard flexible material is neoprene coated fiberglass. Other material available at extra cost.

Standard overall length on transition connections is approximately 18"-24".
Standard connections are approximately 9".

Refer to fan drawings for inlet and discharge dimensions. Supplemental fan drawings-see submittal sheets:
01-F1 99-F2 98-F3 99-F4 96-F5
Attach a copy of this form when ordering.