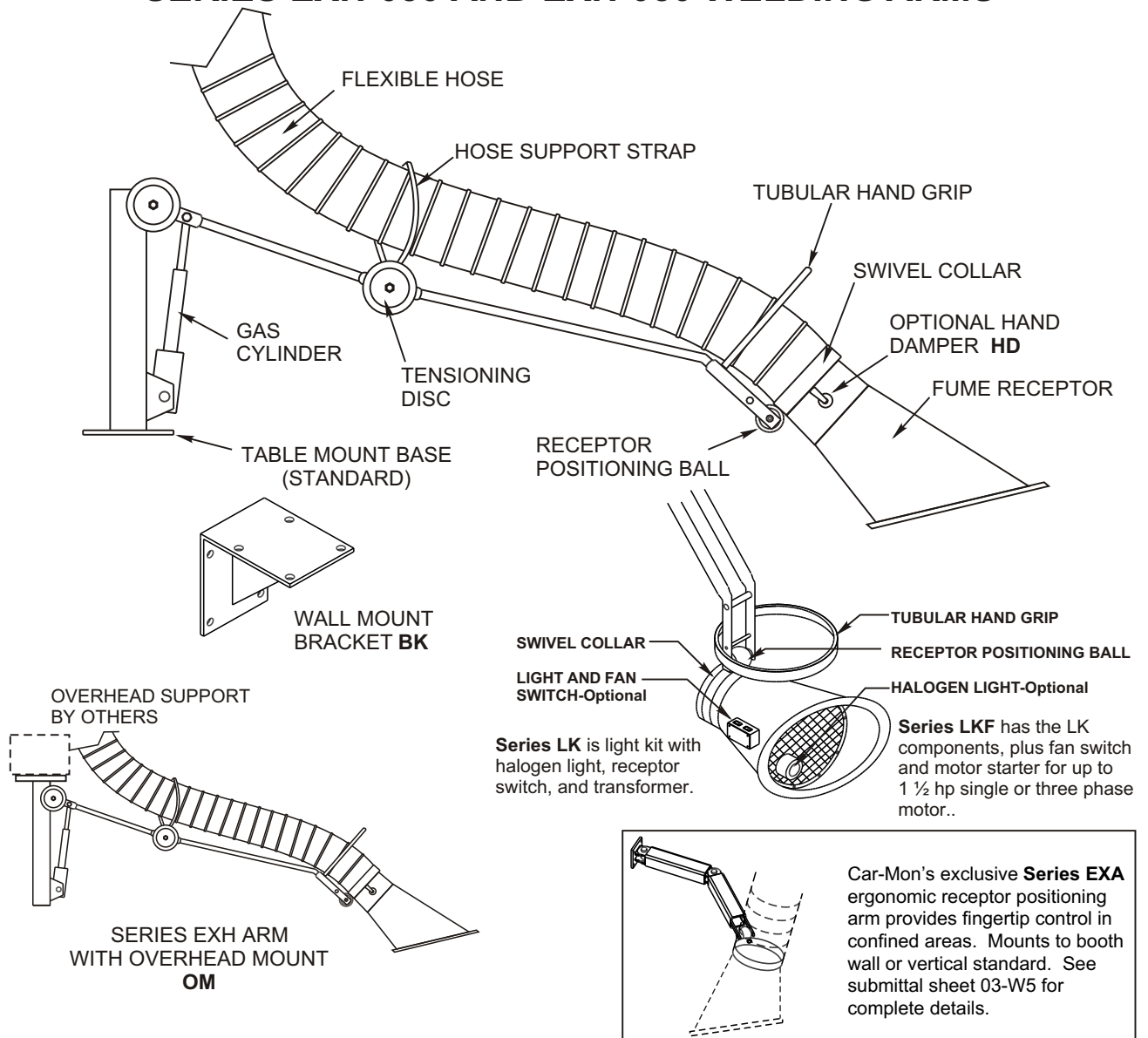


SERIES EXH-030 AND EXH-050 WELDING ARMS



QTY.	MODEL	QTY.	MODEL	HOSE DIA.	HOSE TYPE	HOSE LENGTH	OPTIONAL EQUIPMENT					Car-Mon Series EXH arms offer the self-supporting, flexible positioning capabilities of our Series EX arms to more confined work stations. They can be mounted on the bench top, wall, or overhead. (Consult factory for overhead mounting.) The 3 foot arms are supplied with 5 feet of hose, 5 foot arms are supplied with 7 feet of hose, and unless specified, PT hose is standard.
							BK	OM	HAND DAMPER	LK	LKF	
	EXH-033		EXH-053	3"								
	EXH-034		EXH-054	4"								
	EXH-035		EXH-055	5"								
	EXH-036		EXH-056	6"								

SPECIFICATION

The welding exhaust arm shall be of welded construction utilizing tubular steel. It shall be factory assembled, including a two section support arm with gas cylinder counterbalance, tensioning discs, tubular hand grip, fume receptor positioning ball, hose support strap, and base for table mount, wall mount or ceiling as specified. Internal support members, pivot joints or adjustments are not acceptable. Arm to be assembled and pre-tuned at factory for ease of installation and function. Welding arm assembly shall have a flexible hose diameter as specified and a maximum reach of 3 feet or 5 feet as specified. Welding arm assembly shall be Series EXH with Type PT hose and Model M receptor as manufactured by Car-Mon Products, inc. Elgin, Illinois 60123.