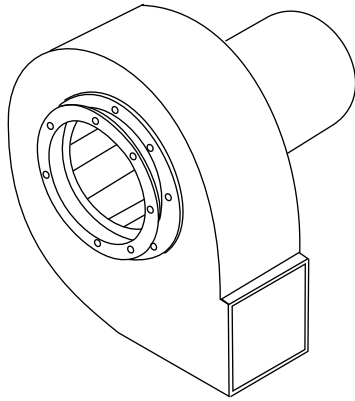
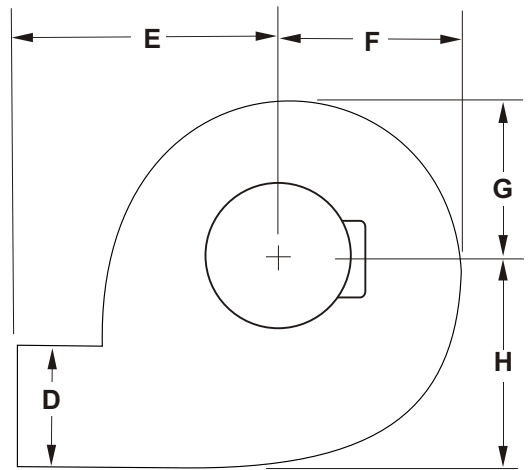
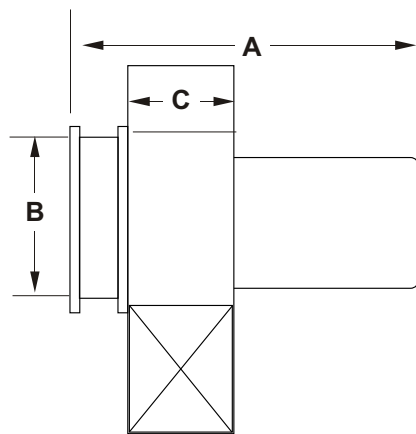


CAR-MON SERIES DXi HIGH STATIC, FLANGE MOUNTED, DIRECT DRIVE EXHAUST FANS



Note: Fans illustrated are clockwise,
bottom horizontal configuration



WHEEL DIA.	WIDTH	A	B	C	D	E	F	G	H
12.125	3.75	19.00	8.00	4.5	6.25	12	9.5	8.75	10.375
12.125	5.25	20.50	8.00	6.25	6.25	12	9.5	8.75	10.375

OPTIONAL EQUIPMENT:

- WALL PLATFORM
 CEILING PLATFORM
 INLET SCREEN
 DISCHARGE SCREEN
 DISCHARGE FLANGE
 SOUND ATTENUATOR
 OTHER _____

Customer _____ Job Name _____

QTY.	MODEL	HP	WHEEL DIA.	WHEEL WIDTH	ROT.	DISCH.	CFM	S.P.	ELECTRICAL		
									VOLTAGE	PH	Hz
	DXi-12A7	2	12.125	3.75							
	DXi-12A0	3	12.125	5.25							

The **Series DXi** fans are high performance air movers that provide a convenient and efficient method of mounting. They are available in several wheel diameters and widths to provide a wide variety of air volume needs.

SPECIFICATION: The fan shall be the standard product of a United States exhaust system manufacturer. Fan wheel shall be radial blade type with single thickness blades and be statically and dynamically balanced. The fan housing shall be fabricated of 10 gauge steel and be of all welded construction. The inlet shall be assembled to the fan housing using hex head grip type flange nuts bolted to threaded studs welded to the housing. A rolled angle mounting flange shall be welded to the inlet ring. All surfaces of the fan and fan wheel shall be painted with an epoxy powder coating. The fan motor shall be an industrial grade C-face type, bolted directly to the housing, with horsepower and electrical characteristics as specified. The fan shall be **Series DXi** as manufactured by Car-Mon Products, Elgin, IL 60123