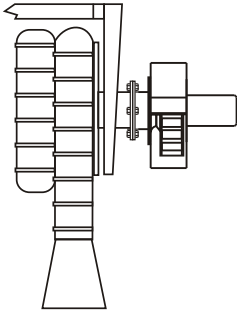
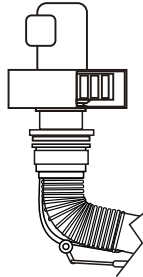


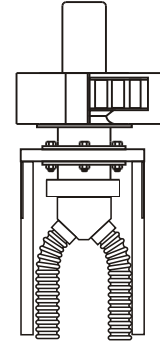
CAR-MON SERIES CMW FLANGE MOUNTED, DIRECT DRIVE EXHAUST FANS



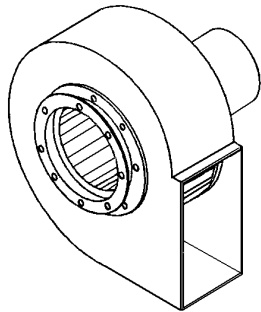
CMW-F MOUNTED ON
SERIES TSR



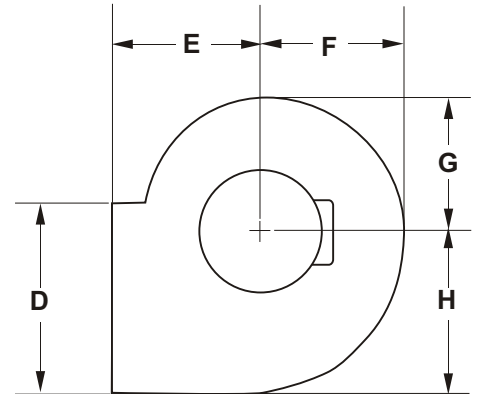
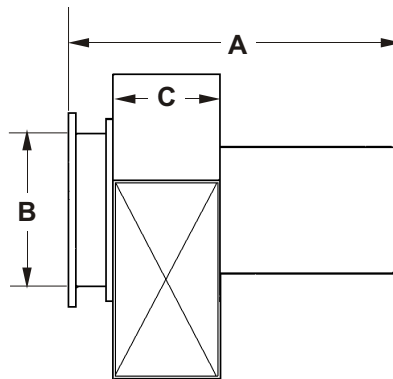
CMW-F MOUNTED ON
SERIES EXK ARM
(Wall or Ceiling Platform Needed)



CMW-F MOUNTED ON
SERIES CO-X SYSTEM



Note: Fans illustrated are clockwise,
bottom horizontal configuration



MODEL	A	B	C	D	E	F	G	H	WEIGHT
CMW-7, 9	20"	8"	6½"	10"	7"	8"	7⅛"	9"	58
CMW-11	22"	8"	6½"	11⅝"	8"	9"	7⅝"	10⅜"	64
CMW-13	22"	9"	8"	12"	8¼"	9¾"	8"	10¾"	66

OPTIONAL EQUIPMENT:

QTY.	MODEL	HP	WHEEL	ROTATION		DISCH.	CFM				ELECTRICAL		
			DIA.	CW	CCW		1¼" SP	2½" SP	3" SP	4" SP	VOLTS	PHASE	HZ
	CMW-7	½	9⅜				680	570	490				
	CMW-9	¾	9⅜				850	720	600				
	CMW-11	1	10				1300	1180	1100	900			
	CMW-13	1½	10⅝				1590	1520	1420	1250			

The **Series CMW** fans provide a convenient and efficient method of mounting exhaust fans on Car-Mon reels, welding exhaust arms, and tubing drops. It is available in four configurations to provide a wide variety of air volume needs. For dimensions and specifications of arms, reels, and **CO-X** systems, please refer to the individual product submittal sheets.

SPECIFICATION: The fan shall be the standard product of a United States exhaust system manufacturer. Fan wheel shall be backward inclined, non-overloading type with single thickness blades and be statically and dynamically balanced. The fan housing shall be fabricated of 12 gauge steel and be of all welded construction. The mating surfaces of the inlet cone and fan housing shall be caulked prior to assembly. The inlet cone shall be assembled to the fan housing using hex head cap screws bolted to threaded inserts welded to the interior of the housing, self tapping screws are not acceptable. A rolled angle mounting flange shall be welded to the inlet ring. All surfaces of the fan and fan wheel shall be painted with an epoxy powder coating. The fan motor shall be an industrial grade C-face type, bolted directly to the housing, with horsepower and electrical characteristics as specified. The fan shall be **Series CMW** as manufactured by Car-Mon Products, Elgin, IL 60123