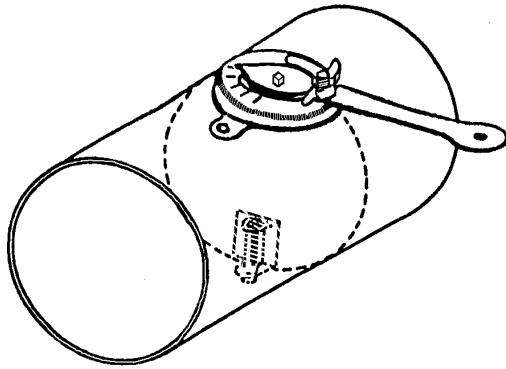


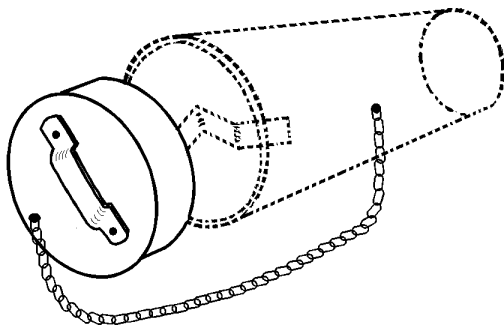
SERIES HD HAND DAMPERS



Car-Mon Series HD Quadrant Locking Type Hand Dampers are of stainless steel construction with die-stamped cadmium plated damper fittings. Applications include flexible hose assemblies, M Series receptors, and Series S straight round duct. Larger sizes available on request.

Quantity	Model	Size
	HD-3	3"
	HD-4	4"
	HD-5	5"
	HD-6	6"
	HD-8	8"

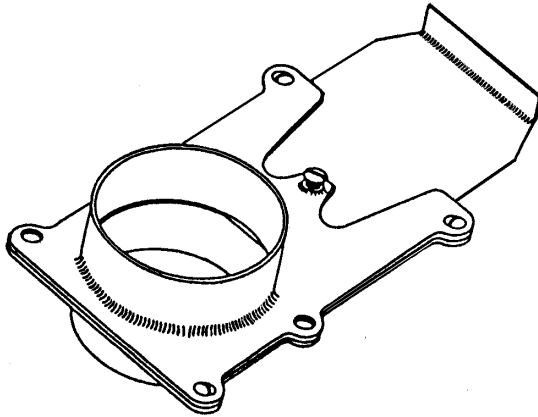
SERIES PLC ADAPTER PLUG WITH CHAIN



Car-Mon PLC Adapter Plug with Chain is stainless steel and is available for tapered cone adapters. Larger sizes available on request.

Quantity	Model	Size
	PLC-3	3"
	PLC-4	4"
	PLC-5	5"
	PLC-6	6"
	PLC-8	8"

SERIES BG BLAST GATE DAMPERS



Car-Mon Series BG Blast Gate Dampers are of 2-piece cast construction with fully adjustable sliding gate and set screw for permanent damper setting. Applications include use on Series S straight round duct for dust collecting systems and on carbon monoxide or welding fume exhaust systems. Other sizes available on request.

Quantity	Model	Size	A	B	C	D
	BG-30	3"	5 1/4"	4"	2 7/8"	2 3/4"
	BG-40	4"	6 3/4"	5"	3 7/8"	2 1/4"
	BG-50	5"	8 5/8"	6"	4 7/8"	2 1/4"
	BG-60	6"	10 1/4"	7 1/4"	5 7/8"	3"
	BG-80	8"	12 5/8"	9 5/8"	7 7/8"	3 1/2"

